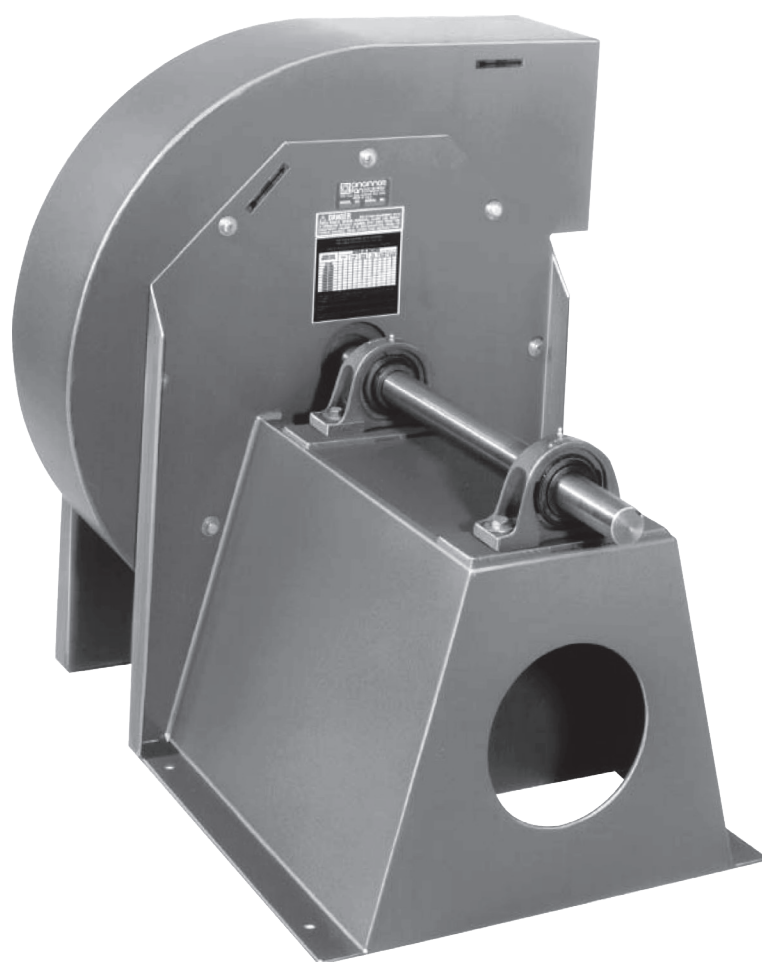


RBE series

CENTRIFUGAL BLOWER

engineering data
and specifications



CINCINNATI FAN 

Since the founding of Cincinnati Fan in 1956, the company's mission has been to provide quality products at competitive prices, backed by depend-able service.

This mission is carried out by specializing in the market for industrial air handling products up to 125 hp. But specialization does not mean the product line is small. Cincinnati Fan offers a wide variety of standard and customized products, production flexibility, and customer responsiveness.

CINCINNATI FAN PROVIDES

- ◆ Technical evaluation for correct performance conditions
- ◆ Review of air stream and ambient conditions that require special attention
- ◆ Selection of proper components to meet required design specifications
- ◆ Selection of proper accessories
- ◆ System analysis for proper fan design

Cincinnati Fan operates in a modern facility specifically designed for world class manufacturing enabling us to build standard products to order, including accessories, and ship within 5 to 10 working days.

With support like this, you can be sure your Cincinnati Fan product will be well-built and will provide maximum dependability and longevity.

Cincinnati Fan has over 170 experienced sales engineers across the US and Canada ready to serve your air handling needs.

RBE SERIES SPECIFICATIONS

Radial bladed pressure blowers shall be Cincinnati Fan RBE, Size _____, Series _____, Arrangement _____.

Capacity: _____CFM, _____ Static Pressure at standard conditions.

Operating conditions: _____ °F, _____ feet altitude

Backward inclined wheels shall have welded blades designed to meet AMCA Class _____ conditions.

Wheels shall have welded blades and are designed to meet specified conditions for each series. Wheels shall be dynamically balanced to assure smooth operation. Shafts shall be turned, ground and polished steel (or stainless steel). All fans shall be test run at the factory before shipping.

Housings shall be continuously welded and supported to prevent housing pulsation at all conditions. All bearings shall be grease-lubricated, heavy-duty, self-aligning ball bearing. V-belt drive shall be selected for a minimum of 1.3 times nominal horsepower.

All parts in contact with airstream shall be standard steel, aluminum or stainless steel as specified.

Before painting, steel parts shall be cleaned by detergent wash, phosphatized and painted with oven cured gray enamel.

The following accessories shall be included: (See page 6 for optional accessories).

SEVEN STANDARD ARRANGEMENTS



Arrangement 1 - Belt Drive

- ◆ Motor not mounted on bearing base.
- ◆ Wheel mounted on fan shaft with two pillow block bearings.
- ◆ Maximum temperature:
 - Standard design: 300°F
 - High temperature design: 750°F



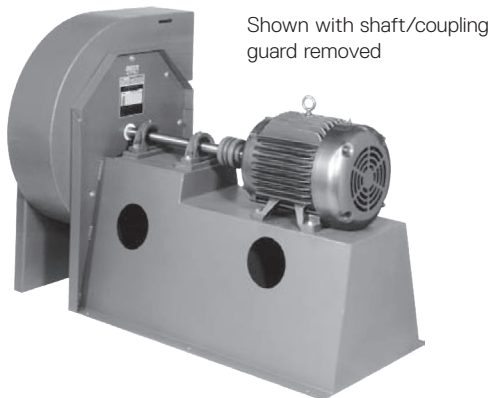
Arrangement 4HM - Direct Drive

- ◆ C-Face motor mounted direct to housing. Foot mounted motor with angle bracket when C-Face motor is not available.
- ◆ Wheel mounted on motor shaft.
- ◆ Maximum temperature:
 - Standard design: 200°F
 - High temperature design: 400°F



Arrangement 4 - Direct Drive

- ◆ Motor mounted on motor base.
- ◆ Wheel mounted on motor shaft.
- ◆ Maximum temperature:
 - Standard design: 200°F
 - High temperature design: 400°F



Shown with shaft/coupling guard removed

Arrangement 8 - Direct Drive

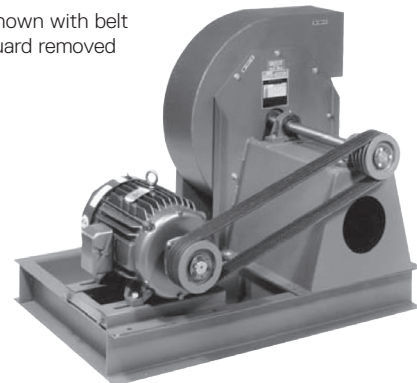
- ◆ Motor mounted on motor base extending beyond the bearing base.
- ◆ Wheel mounted on fan shaft with two pillow block bearings.
- ◆ Maximum temperature:
 - Standard design: 300°F
 - High temperature design: 750°F
- ◆ Consult Cincinnati Fan for dimension



Arrangement 9 - Belt Drive

- ◆ Motor mounted on an adjustable slide base on the side of the bearing base.
- ◆ Wheel mounted on fan shaft with two pillow block bearings.
- ◆ Maximum temperature:
 - Standard design: 300°F
 - High temperature design: 750°F

Shown with belt guard removed

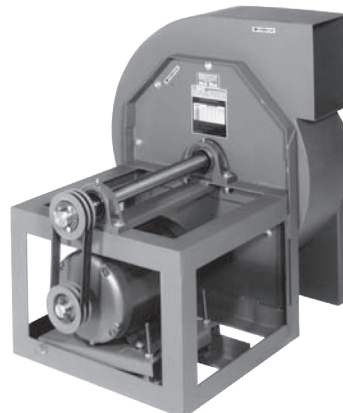


Arrangement CB - Belt Drive

- ◆ Same as Arrangement 9 except motor and fan are mounted on a common channel base
- ◆ Maximum temperature:
 - Standard design: 300°F
 - High temperature design: 750°F

Arrangement 10 - Belt Drive

- ◆ Motor mounted on an adjustable under the fan shaft.
- ◆ Wheel mounted on fan shaft with two pillow block bearings.
- ◆ Maximum temperature:
 - Standard design: 300°F
 - High temperature not available
- ◆ Consult Cincinnati Fan on RBE-21



Shown with weather cover removed

RBE FEATURES

A - Wheels are fabricated of heavy-gauge, high-strength steel to assure long lasting, efficient operation for each series.

B - Turned, ground and polished shafting assures smooth operation. A rust preventative coating is applied prior to shipment.

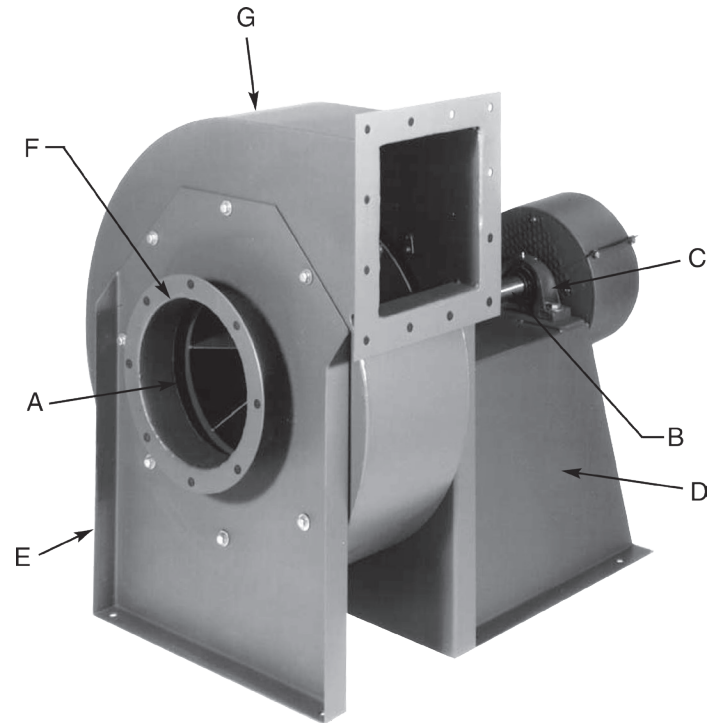
C - Heavy-duty, self-aligning ball bearings in relubricatable cast-iron pillow blocks. Bearings are selected for optimal performance based on maximum fan speed for each fan size and series. (See page 22)

D - Bearing base is heavy steel construction with internal supports to maximize rigidity and assure long equipment life. Arrangement 1 fans can be converted to arrangement 9 with the addition of the motor slide base.

E - Inlet side support is used to assure a vibration free, stable housing.

F - Slip collar inlet (not shown) is used for duct work connection. Flanged inlet is optional.

G - Reversible housing provides increased configuration flexibility. Removable side plates allow the wheel to be removed from the motor or inlet side of the housing. Housings are rotatable in 45 degree increments (Only shrouded wheels are reversible). Housing gauges are determined by the fan size and series.



TWO WHEEL TYPES



Shrouded Wheel

Standard fabricated steel wheel used on all sizes and series. Taper lock bushings are standard on sizes 7-13. Sizes 15-21 have cast iron hubs. This type wheel is not recommended for conveying long stringy material, (consult factory). All wheels are available in aluminum and stainless steel with straight bore hubs.



Open Wheel

Optional fabricated wheel available on Series 18 and 25 only. Taper lock bushings are standard on all mild steel wheels. Nonreversible. Also available in aluminum and stainless steel with straight bore hubs on most sizes or series. (consult factory.)

SPARK-RESISTANT CONSTRUCTION

Type A: All parts in contact with airstream are of nonferrous material. (Contact your local Cincinnati Fan sales representative).

Type B: Aluminum wheel and aluminum rubbing ring on motor shaft or fan shaft. Maximum Temperature 200°F (93°C).

Type C: Consists of aluminum plate on the inlet and drive side.

⚠ WARNING

The use of aluminum or aluminum alloys in the presence of steel which has been allowed to rust requires special consideration. Research by the U.S. Bureau of Mines and others has shown that aluminum impellers rubbing on rusty steel may cause high intensity sparking. The use of the above Standard in no way implies a guarantee of safety for any level of spark resistance. Spark-resistant construction also does not protect against ignition of explosive gases caused by catastrophic failure or from any airstream material that may be present in a system.

HIGH TEMPERATURE CONSTRUCTION

Arrangement 4 and 4HM

- Up to 200°F: Standard fan construction.
- 201°F - 400°F: Standard fan with shaft seal, heat slinger and slinger guard.

Arrangement 10:

- Up to 300°F: Standard fan construction.

Arrangement 1 - 8 - 9 - 9CB:

- Up to 300°F: Standard fan construction.
- 301° - 400°F: Standard fan with heat slinger and shaft/slinger guard.
- 401° - 600°F: Standard fan with heat slinger, shaft/slinger guard and high temperature shaft seal, gasketing and paint.
- 601° - 750°F: Standard fan with heat slinger, shaft/slinger guard. 316 stainless steel fan shaft and high temperature shaft seal, gasketing and paint.

Wheel Size	Maximum RPM Aluminum Wheel*	Temperature Range °F	Maximum RPM Reduction Factor†
7	4994	Up to 175°	0%
9	4383	176° - 200°	2%
11	4000	201° - 300°	4%
13	3600	301° - 400°	7%
15	3500	401° - 500°	11%
17	3090	501° - 600°	15%
19	2610	601° - 700°	20%
21	2080	701° - 750°	30%

† Steel wheels only

* Up to 200°F. Consult Cincinnati Fan for higher temperatures.
All wheels are shrouded type, fabricated aluminum.
See page 22 or WR² and bearing and shaft limitations

TEMPERATURE - ALTITUDE ADJUSTMENT

Air Temperature °F	Altitude - Feet Above Sea Level										
	0	1000	2000	3000	4000	5000	6000	7000	8000	9000	10000
0°	0.87	0.91	0.94	0.98	1.01	1.05	1.09	1.13	1.17	1.22	1.26
40°	0.94	0.98	1.02	1.06	1.10	1.14	1.19	1.23	1.28	1.32	1.36
70°	1.00	1.04	1.08	1.12	1.16	1.20	1.25	1.30	1.35	1.40	1.45
80°	1.02	1.06	1.10	1.14	1.19	1.23	1.28	1.33	1.38	1.43	1.48
100°	1.06	1.10	1.14	1.19	1.23	1.28	1.33	1.38	1.43	1.48	1.54
120°	1.09	1.14	1.18	1.23	1.28	1.32	1.38	1.43	1.48	1.53	1.58
140°	1.13	1.18	1.22	1.27	1.32	1.37	1.42	1.48	1.54	1.58	1.65
160°	1.17	1.22	1.26	1.31	1.36	1.42	1.47	1.53	1.59	1.64	1.70
180°	1.21	1.26	1.30	1.36	1.41	1.46	1.52	1.58	1.64	1.70	1.75
200°	1.25	1.29	1.34	1.40	1.45	1.51	1.57	1.63	1.69	1.75	1.81
250°	1.34	1.39	1.45	1.50	1.56	1.62	1.68	1.74	1.82	1.88	1.94
300°	1.43	1.49	1.55	1.61	1.67	1.74	1.80	1.87	1.94	2.00	2.08
350°	1.53	1.59	1.65	1.72	1.78	1.85	1.92	2.00	2.07	2.14	2.22
400°	1.62	1.69	1.75	1.82	1.89	1.96	2.04	2.12	2.20	2.27	2.35
450°	1.72	1.79	1.86	1.93	2.00	2.08	2.16	2.24	2.33	2.41	2.50
500°	1.81	1.88	1.96	2.03	2.11	2.19	2.28	2.36	2.46	2.54	2.62
550°	1.91	1.98	2.06	2.14	2.22	2.30	2.40	2.49	2.58	2.68	2.77
600°	2.00	2.08	2.16	2.24	2.33	2.42	2.50	2.61	2.71	2.80	2.90
650°	2.10	2.18	2.26	2.35	2.44	2.54	2.63	2.74	2.84	2.94	3.04
700°	2.19	2.27	2.36	2.46	2.55	2.65	2.75	2.86	2.97	3.06	3.18
750°	2.28	2.37	2.47	2.56	2.66	2.76	2.87	2.98	3.10	3.19	3.31

Fan performance tables are developed using standard air which is 70°F, 29.92" barometric pressure and .075 lb/ft³ per cubic foot. Density changes resulting from temperature or barometric pressure variations (such as higher altitudes) must be corrected to standard conditions before selecting a fan based on standard performance data.

Temperature and/or altitude conversion factors are used in making corrections to standard conditions.

EXAMPLE: Select a belt driven RBE to deliver 2661 CFM at 10" SP at 200°F, and 7000' altitude.

Step 1 - From the table, conversion factor is 1.63.

Step 2 - Correct static pressure is:

$$1.63 \times 10" \text{ SP} = 16.3" \text{ SP at standard conditions.}$$

Step 3 - Check RBE catalog for 2661 CFM at 16.3" SP. We select a belt driven RBE-11 Series 18 (on page 9) and interpolation gives 2912 RPM and 11.15 bhp.

Step 4 - Correct the bhp for the lighter air:

$$11.15 \div 1.63 = 6.84 \text{ bhp.}$$

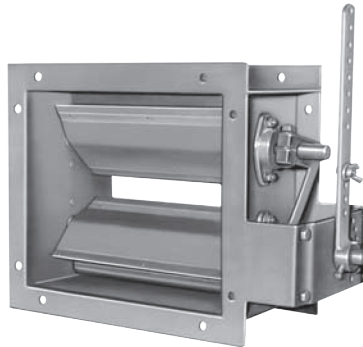
A 7.5 hp motor will suffice at 200°F, and 7000' but not at standard conditions. Special motor insulation may be required at altitudes above 3500'.

OPTIONS



Shaft Seal

Teflon shaft seal good to 400°F (204°C). Ceramic fiber gasket material with steel cover plate above 400°F (205°C).



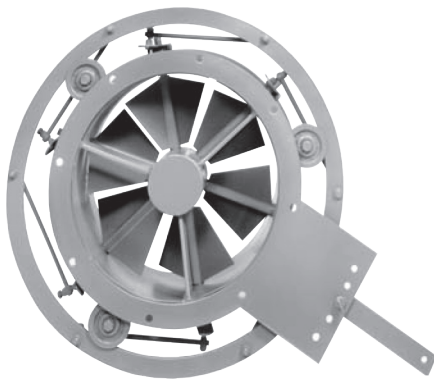
Outlet Damper

All dampers are 1 or 2 blade. Opposed blade construction is standard.



Belt Guard

Belt guard standard on Arrangement 9 and 9CB only. Painted safety yellow.



Inlet Vane Control

Linkage assembly is external on smaller sizes, internal on larger sizes. Inlet vane depth varies with inlet diameter. Contact your local Cincinnati Fan sales representative for dimensions.



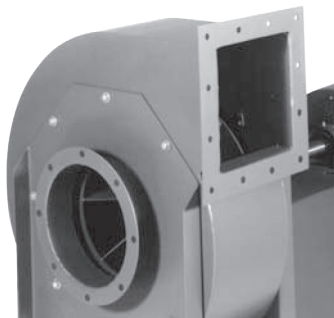
Inspection Door

Bolted scroll inspection doors positioned as specified. Rubber gasket standard up to 250°F (121°C) Ceramic fiber gasket standard at temperatures above 250°F (122°C). Quick-release inspection door also available.



Drain Connection

3/4" pipe coupling welded to lowest point of housing. Not required on BH discharge position.



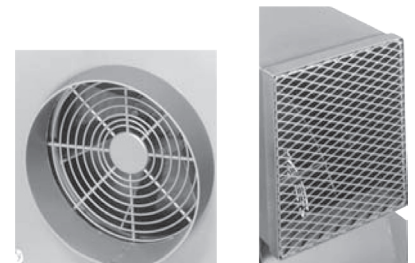
Inlet and Outlet Flange

Flanges on inlet and outlet available where installation requires tight duct connections. Standard hole pattern furnished. Outlet flange not available on some discharge positions. See page 27 for dimensions and limitations.



Shaft and/or Heat Slinger Guard

Guard available on Arrangement 1, 9 and 9CB. Covers bearings and shaft between fan housing and belt guard. Has extended lube lines. Standard on high temperature fans above 301°F(150°C). Painted safety yellow.



Inlet and Outlet Guards

Ring guard on inlet and expanded metal on discharge. Meets OSHA approval.

Belt Drive Ratings Table — at 70°F | .075 density | sea level

RBE-9

Wheel
Diameter - 15.75"

Outlet OD
Size - 8.75" x 7.625"
Area - .435 ft² ID

Inlet OD
Size - 9"
Area - .44 ft²

Series 18 = light text face above Series 25
Series 25 = bold text face below Series 18

Volume CFM	O.V. fpm	2" SP		4" SP		6" SP		8" SP		10" SP		12" SP		13" SP		14" SP		15" SP		16" SP		
		RPM	bhp	RPM	bhp	RPM	bhp	RPM	bhp	RPM	bhp	RPM	bhp	RPM	bhp	RPM	bhp	RPM	bhp	RPM	bhp	RPM
400	919	1210	0.24	1699	0.56	2074	0.92															
500	1149	1221	0.28	1707	0.63	2082	1.04	2398	1.48	2677	1.95											
600	1379	1249	0.34	1714	0.71	2089	1.15	2405	1.63	2684	2.14	2936	2.69	3054	2.97	3168	3.26	3277	3.55			
700	1609	1278	0.39	1725	0.80	2097	1.27	2413	1.78	2691	2.33	2944	2.92	3062	3.22	3175	3.52	3285	3.84	3391	4.16	
800	1839	1310	0.46	1753	0.90	2104	1.39	2420	1.94	2699	2.53	2951	3.15	3069	3.47	3183	3.79	3292	4.12	3398	4.46	
900	2068	1353	0.54	1782	1.01	2124	1.53	2428	2.10	2706	2.72	2958	3.38	3076	3.72	3190	4.06	3300	4.41	3406	4.77	
1000	2298	1397	0.63	1811	1.13	2153	1.69	2442	2.27	2714	2.92	2966	3.61	3084	3.97	3197	4.33	3307	4.70	3413	5.08	
1100	2528	1443	0.73	1840	1.25	2181	1.85	2470	2.48	2725	3.13	2973	3.85	3091	4.23	3205	4.61	3314	5.00	3421	5.39	
1200	2758	1494	0.84	1882	1.40	2210	2.02	2499	2.69	2753	3.39	2984	4.10	3099	4.48	3212	4.89	3322	5.29	3428	5.71	
1300	2988	1546	0.96	1925	1.57	2239	2.21	2527	2.92	2782	3.65	3012	4.41	3120	4.79	3224	5.18	3329	5.59	3435	6.02	
1400	3218	1599	1.10	1970	1.75	2274	2.41	2556	3.15	2810	3.93	3040	4.72	3148	5.13	3252	5.54	3352	5.95	3449	6.37	
1500	3448	1654	1.25	2015	1.95	2318	2.65	2586	3.39	2839	4.21	3069	5.05	3177	5.48	3280	5.91	3381	6.34	3477	6.78	
1600	3678	1712	1.42	2063	2.16	2362	2.91	2619	3.66	2868	4.51	3098	5.39	3205	5.83	3309	6.29	3409	6.74	3506	7.20	
1700	3908	1773	1.62	2114	2.39	2406	3.18	2662	3.98	2898	4.81	3127	5.74	3234	6.21	3338	6.68	3438	7.15	3534	7.63	
1800	4137	1835	1.83	2166	2.63	2451	3.47	2706	4.31	2933	5.16	3156	6.10	3263	6.59	3367	7.08	3466	7.58	3563	8.08	
1900	4367	1899	2.07	2218	2.89	2497	3.77	2750	4.67	2976	5.56	3185	6.47	3292	6.98	3396	7.50	3495	8.01	3592	8.54	
2000	4597	1963	2.32	2272	3.17	2548	4.10	2795	5.04	3020	5.98	3225	6.91	3322	7.39	3425	7.92	3525	8.46	3621	9.01	
2100	4827	2028	2.59	2327	3.47	2599	4.45	2840	5.42	3064	6.41	3268	7.40	3365	7.89	3458	8.38	3554	8.93	3650	9.49	
2200	5057	2093	2.89	2383	3.79	2650	4.81	2886	5.83	3109	6.87	3312	7.90	3408	8.42	3501	8.93	3590	9.45	3680	9.99	
2300	5287	2159	3.20	2443	4.16	2703	5.20	2937	6.27	3154	7.35	3356	8.43	3452	8.97	3544	9.51	3633	10.05	3720	10.59	
2400	5517	2226	3.55	2505	4.56	2756	5.61	2988	6.73	3199	7.84	3401	8.97	3496	9.54	3588	10.10	3677	10.66	3763	11.23	
2500	5747	2294	3.92	2567	4.98	2810	6.05	3039	7.21	3247	8.37	3446	9.54	3541	10.13	3632	10.72	3721	11.30	3807	11.89	
2600	5977	2363	4.32	2630	5.43	2866	6.50	3092	7.72	3298	8.92	3491	10.13	3586	10.75	3677	11.36	3765	11.97	3851	12.58	
2700	6206	2433	4.75	2694	5.91	2922	6.98	3144	8.25	3349	9.50	3538	10.75	3631	11.39	3722	12.02	3810	12.66	3895	13.29	
2800	6436	2503	5.21	2758	6.41	2982	7.54	3197	8.80	3401	10.11	3588	11.41	3677	12.05	3767	12.71	3855	13.37	3940	14.03	
2900	6666	2573	5.70	2822	6.94	3044	8.13	3252	9.39	3453	10.74	3639	12.09	3728	12.76	3813	13.43	3900	14.11	3985	14.79	
3000	6896	2644	6.22	2887	7.50	3106	8.75	3308	10.00	3505	11.40	3691	12.80	3779	13.49	3864	14.19	3946	14.88	4030	15.58	

Volume CFM	O.V. fpm	17" SP		18" SP		19" SP		20" SP		21" SP		22" SP		23" SP		24" SP		25" SP		26" SP		
		RPM	bhp	RPM	bhp	RPM	bhp	RPM	bhp	RPM	bhp	RPM	bhp	RPM	bhp	RPM	bhp	RPM	bhp	RPM	bhp	RPM
700	1609	3493	4.48	3594	4.82	3690	5.16	3785	5.50													
800	1839	3501	4.81	3601	5.16	3698	5.52	3792	5.88	3885	6.25	3975	6.62	4063	7.00	4149	7.38	4233	7.77	4316	8.16	
900	2068	3508	5.13	3608	5.50	3705	5.88	3800	6.26	3892	6.64	3982	7.04	4070	7.43	4156	7.83	4241	8.24	4323	8.65	
1000	2298	3516	5.46	3616	5.85	3713	6.24	3807	6.64	3899	7.05	3989	7.46	4077	7.87	4164	8.29	4248	8.72	4331	9.15	
1100	2528	3523	5.79	3623	6.20	3720	6.61	3815	7.03	3907	7.45	3997	7.88	4085	8.31	4171	8.75	4255	9.20	4338	9.64	
1200	2758	3531	6.13	3630	6.55	3728	6.98	3822	7.42	3914	7.86	4004	8.31	4092	8.76	4178	9.22	4263	9.68	4345	10.14	
1300	2988	3538	6.46	3638	6.91	3735	7.35	3829	7.81	3922	8.27	4012	8.74	4099	9.21	4186	9.68	4270	10.16	4353	10.65	
1400	3218	3546	6.80	3645	7.26	3742	7.73	3837	8.21	3929	8.68	4019	9.17	4107	9.66	4193	10.15	4277	10.65	4360	11.16	
1500	3448	3572	7.22	3663	7.67	3752	8.12	3844	8.60	3937	9.10	4026	9.60	4114	10.11	4200	10.63	4285	11.14	4367	11.67	
1600	3678	3600	7.66	3691	8.13	3780	8.60	3866	9.08	3951	9.56	4034	10.04	4122	10.57	4208	11.10	4292	11.64	4375	12.18	
1700	3908	3628	8.12	3719	8.61	3808	9.10	3894	9.59	3979	10.09	4061	10.60	4142	11.10	4221	11.61	4300	12.14	4382	12.70	
1800	4137	3657	8.58	3748	9.09	3836	9.61	3923	10.12	4007	10.64	4089	11.17	4170	11.69	4249	12.22	4326	12.76			
1900	4367	3685	9.06	3776	9.59	3865	10.13	3951	10.67	4035	11.21	4118	11.75	4198	12.30	4277	12.85	4354	13.40			
2000	4597	3715	9.56	3805	10.11	3894	10.66	3980	11.22	4064	11.78	4146	12.35	4227	12.92	4305	13.49	4382	14.06			
2100	4827	3744	10.06	3834	10.64	3923	11.21	4009	11.79	4093	12.37	4175	12.96	4255	13.55	4334	14.14					
2200	5057	3773	10.58	3864	11.18	3952	11.77	4038	12.38	4122	12.98	4204	13.59	4284	14.20	4363	14.81					
2300	5287	3804	11.13	3893	11.73	3981	12.35	4067	12.97	4151	13.60	4233	14.23	4313	14.86							
2400	5517	3847	11.79	3929	12.36	4011	12.94	4096	13.59	4180	14.24	4262	14.89	4342	15.54							
2500	5747	3890	12.48	3972	13.06	4051	13.65	4128	14.24	4210	14.89	4291	15.56	4371	16.23							
2600	5977	3934	13.19	4015	13.80	4094	14.41	4171	15.02	4247	15.63											
2700	6206	3978	13.93	4059	14.56	4138	15.19	4215	15.83	4290	16.46	4363	17.10									
2800	6436	4023	14.69	4103	15.35	4182	16.00	4258	16.66	4333	17.32											
2900	6666	4067	15.48	4147	16.16	4226	16.84	4302	17.52	4377	18.20											
3000	6896	4112	16.29	4192	17.00	4270	17.70	4347	18.41													

Power rating (bhp) does not include drive losses. Performance shown is for installation type D-Ducted inlet, Ducted outlet. Performance ratings do not include the effects of appurtenances in the airstream.

See pages 23, 25 or 26 for minimum motor frame sizes regardless of bhp. See page 22 for maximum wheel RPM and WR².

Belt Drive Ratings Table — at 70°F | .075 density | sea level

RBE-11

Wheel

Diameter - 19.125"

Outlet OD

Size - 10.75" x 9.375"

Area - .66 ft² ID

Inlet OD

Size - 11"

Area - .66 ft²

Series 18 = light text face above Series 25

Series 25 = bold text face

Series 32 = *italic text face below Series 25*

Volume CFM	O.V. fpm	2" SP		4" SP		6" SP		8" SP		10" SP		12" SP		14" SP		16" SP		18" SP		20" SP	
		RPM	bhp	RPM	bhp	RPM	bhp	RPM	bhp	RPM	bhp	RPM	bhp	RPM	bhp	RPM	bhp	RPM	bhp	RPM	bhp
700	1060	992	0.36	1384	0.81																
850	1287	1013	0.44	1394	0.91	1694	1.47														
1000	1515	1036	0.52	1404	1.03	1704	1.64	1958	2.29												
1150	1742	1067	0.61	1425	1.18	1715	1.80	1968	2.51	2191	3.26										
1300	1969	1099	0.71	1446	1.34	1730	2.00	1978	2.73	2201	3.54	2403	4.37	2588	5.25						
1450	2196	1134	0.83	1472	1.51	1751	2.23	1990	2.98	2211	3.81	2413	4.70	2598	5.63	2771	6.59				
1600	2424	1170	0.97	1504	1.70	1772	2.47	2011	3.28	2222	4.11	2423	5.04	2608	6.02	2781	7.02	2943	8.06	3097	9.13
1750	2651	1208	1.12	1535	1.90	1798	2.73	2033	3.59	2243	4.48	2434	5.39	2619	6.41	2791	7.47	2953	8.56	3107	9.67
1900	2878	1251	1.29	1567	2.11	1829	3.00	2054	3.92	2265	4.87	2455	5.84	2630	6.83	2801	7.92	2963	9.06	3117	10.23
2050	3106	1298	1.50	1603	2.36	1860	3.29	2082	4.27	2286	5.27	2476	6.30	2651	7.35	2815	8.41	2974	9.57	3127	10.79
2200	3333	1345	1.72	1640	2.62	1892	3.60	2113	4.64	2309	5.69	2498	6.78	2673	7.89	2836	9.02	2989	10.15	3137	11.35
2350	3560	1393	1.97	1677	2.90	1925	3.93	2145	5.03	2340	6.14	2519	7.27	2694	8.45	2857	9.63	3010	10.83	3155	12.05
2500	3787	1443	2.25	1715	3.21	1961	4.30	2176	5.43	2371	6.61	2548	7.80	2715	9.02	2878	10.27	3031	11.53	3176	12.81
2650	4015	1494	2.55	1758	3.56	1997	4.69	2208	5.86	2403	7.10	2579	8.35	2742	9.62	2900	10.92	3053	12.24	3197	13.58
2800	4242	1546	2.88	1804	3.96	2034	5.11	2243	6.33	2434	7.61	2610	8.93	2773	10.26	2924	11.60	3074	12.98	3219	14.38
2950	4469	1598	3.24	1851	4.38	2072	5.55	2279	6.84	2466	8.14	2642	9.52	2804	10.91	2955	12.32	3098	13.73	3240	15.19
3100	4696	1651	3.63	1899	4.84	2110	6.01	2316	7.37	2501	8.72	2674	10.14	2835	11.60	2986	13.06	3129	14.54	3263	16.03
3250	4924	1705	4.05	1947	5.33	2155	6.56	2353	7.93	2537	9.35	2706	10.79	2867	12.30	3018	13.83	3160	15.37	3294	16.92
3400	5151	1759	4.50	1995	5.85	2201	7.15	2391	8.52	2573	10.00	2740	11.49	2899	13.04	3049	14.63	3191	16.23	3325	17.84
3550	5378	1815	5.01	2045	6.41	2247	7.78	2429	9.13	2610	10.69	2776	12.24	2931	13.80	3081	15.45	3222	17.11	3356	18.79
3700	5606	1872	5.55	2096	7.01	2295	8.44	2472	9.83	2648	11.40	2813	13.02	2966	14.63	3113	16.30	3254	18.03	3388	19.77
3850	5833	1929	6.13	2148	7.65	2342	9.15	2518	10.61	2685	12.15	2850	13.83	3003	15.51	3146	17.19	3286	18.97	3419	20.77
4000	6060	1986	6.75	2200	8.33	2390	9.89	2564	11.42	2723	12.92	2887	14.68	3039	16.43	3182	18.17	3318	19.95	3451	21.81
4150	6287	2044	7.41	2252	9.05	2439	10.68	2611	12.27	2767	13.83	2924	15.56	3076	17.38	3218	19.19	3353	21.00	3483	22.88
4300	6515	2103	8.12	2305	9.81	2489	11.51	2658	13.17	2814	14.79	2962	16.48	3113	18.36	3255	20.24	3389	22.12	3516	23.99
4450	6742	2161	8.87	2359	10.62	2540	12.38	2706	14.11	2860	15.81	3002	17.46	3151	19.38	3292	21.33	3425	23.27	3552	25.21
4600	6969	2220	9.68	2412	11.47	2591	13.31	2754	15.10	2907	16.86	3048	18.59	3188	20.44	3329	22.46	3462	24.47	3588	26.48

Volume CFM	O.V. fpm	22" SP		24" SP		25" SP		26" SP		27" SP		28" SP		29" SP		30" SP		31" SP		32" SP	
		RPM	bhp	RPM	bhp	RPM	bhp	RPM	bhp	RPM	bhp	RPM	bhp	RPM	bhp	RPM	bhp	RPM	bhp	RPM	bhp
1700	2575	3249	10.62	3389	11.77			3529	13.41	3594	14.03										
1800	2727	3256	11.02	3396	12.20	3463	12.80	3529	13.41	3594	14.03										
1900	2878	3263	11.42	3402	12.64	3470	13.26	3536	13.88	3601	14.52	3665	15.15	3727	15.79	3789	16.44				
2000	3030	3270	11.83	3409	13.08	3476	13.72	3543	14.36	3608	15.07	3671	15.66	3734	16.32	3795	16.99	3856	17.66	3916	18.33
2100	3181	3276	12.24	3416	13.53	3483	14.18	3549	14.84	3614	15.50	3678	16.17	3741	16.85	3802	17.53	3863	18.22	3922	18.91
2200	3333	3283	12.65	3422	13.97	3490	14.64	3556	15.32	3621	16.00	3685	16.69	3747	17.38	3809	18.08	3869	18.79	3929	19.50
2300	3484	3290	13.07	3429	14.42	3497	15.11	3563	15.81	3628	16.50	3691	17.21	3754	17.92	3816	18.64	3876	19.36	3936	20.08
2400	3636	3300	13.54	3436	14.88	3503	15.58	3569	16.29	3634	17.01	3698	17.73	3761	18.46	3822	19.19	3883	19.93	3942	20.68
2500	3787	3314	14.09	3446	15.39	3510	16.06	3576	16.79	3641	17.52	3705	18.26	3768	19.01	3829	19.76	3890	20.51	3949	21.27
2600	3939	3328	14.65	3460	15.99	3523	16.67	3586	17.34	3648	18.03	3712	18.79	3774	19.55	3836	20.32	3896	21.09	3956	21.87
2700	4090	3342	15.21	3474	16.60	3538	17.29	3600	17.99	3661	18.69	3722	19.40	3781	20.10	3842	20.89	3903	21.68	3963	22.47
2800	4242	3356	15.79	3488	17.21	3552	17.93	3614	18.65	3676	19.37	3736	20.09	3795	20.82	3853	21.55	3910	22.28	3969	23.08
2900	4393	3371	16.37	3502	17.84	3566	18.57	3628	19.31	3690	20.05	3750	20.80	3809	21.55	3867	22.30	3924	23.05	3981	23.80
3000	4545	3385	16.96	3516	18.47	3580	19.22	3642	19.98	3704	20.75	3764	21.51	3823	22.28	3881	23.05	3938	23.83	3995	24.60
3100	4696	3399	17.56	3531	19.11	3594	19.89	3657	20.67	3718	21.45	3778	22.24	3837	23.03	3895	23.82	3952	24.61		
3200	4848	3414	18.17	3545	19.76	3608	20.56	3671	21.36	3732	22.17	3792	22.97	3851	23.78	3909	24.59	3967	25.41		
3300	5000	3433	18.81	3559	20.42	3623	21.24	3685	22.06	3746	22.89	3807	23.72	3866	24.55	3924	25.38	3981	26.21		
3400	5151	3453	19.46	3576	21.10	3637	21.93	3700	22.78	3761	23.62	3821	24.47	3880	25.32	3938	26.18	3995	27.03		
3500	5303	3474	20.13	3596	21.81	3656	22.65	3714	23.50	3775	24.37	3835	25.24	3894	26.11	3952	26.98				
3600	5454	3494	20.82	3617	22.53	3676	23.40	3734	24.26	3791	25.13	3850	26.01	3908	26.90	3966	27.80				
3700	5606	3515	21.51	3637	23.27	3697	24.15	3755	25.04	3812	25.93	3868	26.82	3923	27.71	3981	28.63				
3800	5757	3536	22.22	3658	24.02	3717	24.92	3775	25.83	3832	26.74	3888	27.65	3943	28.56	3997	29.48				
3900	5909	3557	22.94	3679	24.78	3738	25.71	3796	26.63	3853	27.56	3909	28.49	3964	29.43						
4000	6060	3578	23.68	3700	25.56	3759	26.51	3817	27.45	3874	28.40										
4100	6212	3599	24.43	3721	26.36	3780	27.32	3838	28.29	3894	29.26	3950	30.23								
4200	6363	3621	25.20	3742	27.16	3801	28.15	3859	29.14	3915	30.13										
4300	6515	3642	25.98	3763	27.99	3822	28.99	3880	30.00												
4400	6666	3664	26.77	3784	28.82	3843	29.85														
4500	6818	3685	27.59	3806	29.67																
4600	6969	3709	28.48																		

Power rating (bhp) does not include drive losses. Performance shown is for installation type D-Ducted inlet, Ducted outlet. Performance ratings do not include the effects of appurtenances in the airstream.

See pages 23, 25 or 26 for minimum motor

Belt Drive Ratings Table — at 70°F | .075 density | sea level

RBE-13

Wheel

Diameter - 22.625"

Outlet OD

Size - 12.75" x 11"

Area - .93 ft² ID

Inlet OD

Size - 13"

Area - .92 ft²

Series 18 = light text face above Series 25

Series 25 = bold text face

Series 32 = *italic text face below Series 25*

Volume CFM	O.V. fpm	2" SP		4" SP		6" SP		8" SP		10" SP		12" SP		13" SP		14" SP		15" SP		16" SP	
		RPM	bhp	RPM	bhp	RPM	bhp	RPM	bhp	RPM	bhp	RPM	bhp	RPM	bhp	RPM	bhp	RPM	bhp	RPM	bhp
900	967	833	0.50																		
1100	1182	847	0.59	1173	1.25																
1300	1397	865	0.68	1179	1.45	1435	2.23														
1500	1612	888	0.79	1193	1.62	1441	2.53	1657	3.43												
1700	1827	914	0.92	1211	1.79	1449	2.82	1663	3.83	1854	4.85	2026	5.89								
1900	2043	940	1.06	1229	1.97	1467	3.06	1668	4.23	1859	5.35	2032	6.48	2112	7.06	2190	7.64	2265	8.23		
2100	2258	969	1.23	1253	2.20	1485	3.31	1686	4.55	1865	5.85	2037	7.09	2118	7.71	2196	8.34	2271	8.97	2343	9.61
2300	2473	999	1.41	1279	2.45	1503	3.57	1704	4.89	1880	6.27	2043	7.69	2123	8.37	2201	9.04	2276	9.72	2349	10.41
2500	2688	1029	1.61	1304	2.73	1526	3.91	1722	5.23	1898	6.68	2058	8.19	2133	8.97	2207	9.75	2282	10.48	2354	11.21
2700	2903	1065	1.86	1331	3.02	1551	4.28	1740	5.58	1916	7.10	2076	8.68	2151	9.50	2223	10.32	2293	11.17	2360	12.02
2900	3118	1103	2.14	1360	3.35	1577	4.67	1764	6.05	1934	7.54	2094	9.19	2169	10.03	2241	10.89	2310	11.77	2378	12.66
3100	3333	1141	2.45	1389	3.71	1603	5.09	1789	6.54	1954	8.03	2112	9.70	2187	10.58	2259	11.48	2328	12.39	2395	13.31
3300	3548	1180	2.78	1419	4.09	1629	5.53	1814	7.06	1979	8.63	2130	10.24	2205	11.15	2277	12.08	2346	13.02	2413	13.98
3500	3763	1220	3.15	1450	4.49	1658	6.02	1840	7.61	2005	9.26	2154	10.92	2224	11.76	2295	12.70	2364	13.67	2431	14.66
3700	3978	1261	3.55	1485	4.96	1687	6.55	1866	8.18	2030	9.91	2179	11.66	2249	12.54	2316	13.43	2382	14.34	2450	15.37
3900	4193	1303	3.99	1522	5.49	1717	7.10	1894	8.80	2056	10.59	2204	12.42	2274	13.34	2341	14.27	2407	15.21	2470	16.14
4100	4408	1345	4.46	1560	6.05	1747	7.68	1923	9.47	2082	11.30	2230	13.21	2299	14.18	2367	15.15	2432	16.12	2494	17.10
4300	4623	1388	4.97	1598	6.66	1778	8.29	1953	10.18	2109	12.05	2255	14.03	2325	15.04	2392	16.05	2457	17.07	2519	18.09
4500	4838	1431	5.53	1636	7.30	1813	9.00	1982	10.92	2138	12.88	2281	14.89	2351	15.94	2418	16.99	2482	18.05	2545	19.11
4700	5053	1474	6.12	1675	7.98	1850	9.78	2012	11.69	2167	13.74	2308	15.79	2377	16.86	2443	17.96	2508	19.06	2570	20.16
4900	5268	1519	6.77	1715	8.72	1887	10.60	2043	12.49	2197	14.64	2337	16.78	2404	17.85	2469	18.96	2534	20.10	2596	21.25
5100	5483	1565	7.47	1756	9.50	1925	11.47	2075	13.37	2227	15.58	2367	17.81	2433	18.92	2497	20.03	2560	21.18	2622	22.37
5300	5698	1610	8.22	1798	10.33	1963	12.38	2112	14.38	2257	16.56	2396	18.88	2462	20.04	2526	21.19	2587	22.35	2648	23.53
5500	5913	1656	9.03	1839	11.21	2002	13.35	2150	15.44	2287	17.57	2426	19.99	2492	21.19	2555	22.39	2617	23.59	2676	24.79
5700	6129	1703	9.88	1882	12.14	2041	14.37	2187	16.55	2320	18.68	2456	21.14	2522	22.39	2585	23.63	2646	24.88	2705	26.12
5900	6344	1750	10.79	1924	13.13	2080	15.44	2225	17.72	2357	19.94	2487	22.33	2552	23.63	2614	24.92	2675	26.21	2735	27.50
6100	6559	1797	11.76	1967	14.17	2121	16.58	2263	18.94	2394	21.25	2517	23.57	2582	24.91	2644	26.25	2705	27.59	2764	28.92
6300	6774	1844	12.79	2010	15.27	2162	17.77	2302	20.22	2432	22.62	2552	24.97	2612	26.24	2675	27.63	2735	29.01	2794	30.39
6500	6989	1891	13.88	2053	16.43	2204	19.03	2341	21.56	2469	24.05	2589	26.49	2645	27.70	2705	29.06	2765	30.48	2824	31.91
Volume CFM	O.V. fpm	17" SP		18" SP		19" SP		20" SP		21" SP		22" SP		23" SP		24" SP		25" SP		26" SP	
		RPM	bhp	RPM	bhp	RPM	bhp	RPM	bhp	RPM	bhp	RPM	bhp	RPM	bhp	RPM	bhp	RPM	bhp	RPM	bhp
2150	2311	2415	10.46	2483	11.12	2550	11.78														
2300	2473	2419	11.10	2487	11.79	2554	12.49	2619	13.19	2682	13.90	2743	14.61								
2450	2634	2423	11.74	2492	12.46	2558	13.20	2623	13.94	2686	14.68	2747	15.42	2808	16.17	2867	16.92	2924	17.68		
2600	2795	2427	12.38	2496	13.14	2562	13.91	2627	14.69	2690	15.46	2752	16.24	2812	17.03	2871	17.82	2928	18.61	2985	19.41
2750	2956	2432	13.03	2500	13.83	2566	14.63	2631	15.44	2694	16.25	2756	17.07	2816	17.89	2875	18.72	2933	19.54	2989	20.37
2900	3118	2443	13.56	2506	14.47	2570	15.36	2635	16.20	2698	17.05	2760	17.90	2820	18.76	2879	19.62	2937	20.48	2993	21.35
3050	3279	2456	14.07	2520	15.01	2581	15.96	2641	16.93	2702	17.85	2764	18.74	2824	19.63	2883	20.53	2941	21.43	2997	22.33
3200	3440	2470	14.59	2533	15.56	2595	16.53	2655	17.52	2713	18.52	2770	19.53	2828	20.51	2887	21.44	2945	22.37	3002	23.31
3350	3602	2483	15.12	2546	16.11	2608	17.11	2668	18.13	2726	19.15	2784	20.19	2839	21.23	2894	22.29	2949	23.33	3006	24.30
3500	3763	2496	15.66	2560	16.68	2621	17.70	2681	18.74	2740	19.79	2797	20.85	2853	21.92	2907	23.01	2961	24.10	3014	25.20
3650	3924	2510	16.21	2573	17.25	2635	18.30	2695	19.37	2753	20.44	2810	21.53	2866	22.62	2921	23.73	2974	24.85	3027	25.98
3800	4086	2524	16.78	2587	17.84	2648	18.92	2708	20.00	2767	21.10	2824	22.21	2879	23.33	2934	24.47	2988	25.61	3040	26.76
3950	4247	2537	17.35	2600	18.44	2662	19.54	2722	20.65	2780	21.78	2837	22.91	2893	24.06	2947	25.21	3001	26.38	3053	27.56
4100	4408	2555	18.08	2615	19.07	2675	20.17	2735	21.31	2794	22.46	2851	23.62	2906	24.79	2961	25.97	3014	27.17	3067	28.37
4250	4569	2574	18.85	2633	19.87	2691	20.89	2749	21.98	2807	23.16	2864	24.34	2920	25.54	2974	26.75	3028	27.96	3080	29.19
4400	4731	2593	19.64	2652	20.69	2710	21.74	2766	22.80	2821	23.86	2878	25.08	2934	26.30	2988	27.53	3041	28.77	3094	30.03
4550	4892	2612	20.44	2671	21.52	2729	22.60	2785	23.69	2839	24.78	2893	25.88	2947	27.07	3002	28.33	3055	29.60	3107	30.87
4700	5053	2631	21.27	2690	22.38	2747	23.49	2803	24.61	2858	25.73	2912	26.86	2964	27.99	3015	29.14	3069	30.43	3121	31.73
4850	5215	2650	22.11	2709	23.25	2766	24.39	2822	25.54	2877	26.70	2930	27.85	2983	29.01	3034	30.18	3084	31.35	3135	32.61
5000	5376	2669	22.97	2728	24.14	2785	25.32	2841	26.50	2896	27.68	2949	28.87	3001	30.06	3052	31.26	3102	32.46	3152	33.66
5150	5537	2689	23.85	2747	25.06	2805	26.27	2860	27.48	2915	28.69	2968	29.91	3020	31.13	<i>3071 32.36</i>	<i>3121 33.59</i>	<i>3170 34.82</i>			
5300	5698	2708	24.76	2767	25.99	2824	27.23	2879	28.48	2934	29.72	2987	30.97	3039	32.22	3090	33.48	3140	34.74	3189	36.00
5450	5860	2728	25.68	2786	26.95	2843	28.22	2899	29.50	2953	30.77	3006	32.05	<i>3058 33.34</i>	<i>3109 34.63</i>	<i>3159 35.92</i>	<i>3208 37.21</i>				
5600	6021	2748	26.67	2806	27.93	2863	29.23	2918	30.54	2972	31.85	<i>3025 33.16</i>	<i>3077 34.47</i>	<i>3128 35.79</i>	<i>3178 37.11</i>						

Belt Drive Ratings Table — at 70°F | .075 density | sea level

RBE-13

Wheel
Diameter - 22.625"

Outlet OD
Size - 12.75" x 11"
Area - .93 ft² ID

Inlet OD
Size - 13"
Area - .92 ft²

Series 25 = bold text face
Series 32 = *italic text face below Series 25*
Series 40 = tinted rating below Series 32

Volume CFM	O.V. fpm	22" SP		23" SP		24" SP		25" SP		26" SP		27" SP		28" SP		29" SP		30" SP		31" SP		
		RPM	bhp	RPM	bhp	RPM	bhp	RPM	bhp	RPM	bhp	RPM	bhp	RPM	bhp	RPM	bhp	RPM	bhp	RPM	bhp	RPM
2450	2634	2747	15.42	2808	16.17	2867	16.92	2924	17.68													
2600	2795	2752	16.24	2812	17.03	2871	17.82	2928	18.61	2985	19.41	3041	20.20	3095	21.01	<i>3148</i>	<i>21.81</i>					
2750	2956	2756	17.07	2816	17.89	2875	18.72	2933	19.54	2989	20.37	3045	21.21	3099	22.05	<i>3153</i>	<i>22.89</i>	3205	23.73	3257	24.58	
2900	3118	2760	17.90	2820	18.76	2879	19.62	2937	20.48	2993	21.35	3049	22.22	3103	23.09	<i>3157</i>	<i>23.97</i>	3209	24.85	3261	25.73	
3050	3279	2764	18.74	2824	19.63	2883	20.53	2941	21.43	2997	22.33	3053	23.23	3107	24.14	<i>3161</i>	<i>25.06</i>	3214	25.97	3265	26.89	
3200	3440	2770	19.53	2828	20.51	2887	21.44	2945	22.37	3002	23.31	3057	24.25	3111	25.20	<i>3165</i>	<i>26.15</i>	3218	27.10	3269	28.05	
3350	3602	2784	20.19	2839	21.23	2894	22.29	2949	23.33	3006	24.30	3061	25.28	3116	26.26	<i>3169</i>	<i>27.25</i>	3222	28.23	3273	29.22	
3500	3763	2797	20.85	2853	21.92	2907	23.01	2961	24.10	3014	25.20	3065	26.31	3120	27.33	<i>3173</i>	<i>28.35</i>	3226	29.37	3278	30.40	
3650	3924	2810	21.53	2866	22.62	2921	23.73	2974	24.85	3027	25.98	3078	27.12	<i>3129</i>	<i>28.26</i>	<i>3179</i>	<i>29.42</i>	3230	30.52	3282	31.58	
3800	4086	2824	22.21	2879	23.33	2934	24.47	2988	25.61	3040	26.76	3092	27.93	<i>3142</i>	<i>29.10</i>	<i>3192</i>	<i>30.28</i>	3241	31.48	3289	32.68	
3950	4247	2837	22.91	2893	24.06	2947	25.21	3001	26.38	3053	27.56	3105	28.75	<i>3155</i>	<i>29.95</i>	<i>3205</i>	<i>31.15</i>	3254	32.37	3302	33.60	
4100	4408	2851	23.62	2906	24.79	2961	25.97	3014	27.17	3067	28.37	3118	29.58	<i>3169</i>	<i>30.81</i>	<i>3218</i>	<i>32.04</i>	3267	33.28	3315	34.53	
4250	4569	2864	24.34	2920	25.54	2974	26.75	3028	27.96	3080	29.19	<i>3132</i>	<i>30.43</i>	<i>3182</i>	<i>31.68</i>	<i>3232</i>	<i>32.94</i>	3281	34.20	3329	35.48	
4400	4731	2878	25.08	2934	26.30	2988	27.53	3041	28.77	3094	30.03	<i>3145</i>	<i>31.29</i>	<i>3196</i>	<i>32.56</i>	<i>3245</i>	<i>33.85</i>	3294	35.14	3342	36.44	
4550	4892	2893	25.88	2947	27.07	3002	28.33	3055	29.60	3107	30.87	<i>3159</i>	<i>32.16</i>	<i>3209</i>	<i>33.46</i>	<i>3259</i>	<i>34.77</i>	3307	36.08	3355	37.41	
4700	5053	2912	26.86	2964	27.99	3015	29.14	3069	30.43	3121	31.73	<i>3172</i>	<i>33.05</i>	<i>3223</i>	<i>34.37</i>	<i>3272</i>	<i>35.70</i>	3321	37.05	3369	38.40	
4850	5215	2930	27.85	2983	29.01	3034	30.18	3084	31.35	<i>3135</i>	<i>32.61</i>	<i>3186</i>	<i>33.95</i>	<i>3236</i>	<i>35.29</i>	<i>3286</i>	<i>36.65</i>	3334	38.02	3382	39.40	
5000	5376	2949	28.87	3001	30.06	3052	31.26	<i>3102</i>	<i>32.46</i>	<i>3152</i>	<i>33.66</i>	<i>3200</i>	<i>34.87</i>	<i>3250</i>	<i>36.23</i>	<i>3299</i>	<i>37.62</i>	3348	39.01	3396	40.41	
5150	5537	2968	29.91	3020	31.13	<i>3071</i>	<i>32.36</i>	<i>3121</i>	<i>33.59</i>	<i>3170</i>	<i>34.82</i>	<i>3218</i>	<i>36.06</i>	<i>3266</i>	<i>37.30</i>	<i>3313</i>	<i>38.59</i>	3362	40.01	3410	41.44	
5300	5698	2987	30.97	3039	32.22	<i>3090</i>	<i>33.48</i>	<i>3140</i>	<i>34.74</i>	<i>3189</i>	<i>36.02</i>	<i>3237</i>	<i>37.27</i>	<i>3284</i>	<i>38.54</i>	<i>3331</i>	<i>39.82</i>	3377	41.10	3423	42.48	
5450	5860	3006	32.05	<i>3058</i>	<i>33.34</i>	<i>3109</i>	<i>34.63</i>	<i>3159</i>	<i>35.92</i>	<i>3208</i>	<i>37.21</i>	<i>3256</i>	<i>38.51</i>	<i>3303</i>	<i>39.81</i>	<i>3350</i>	<i>41.11</i>	3395	42.42	3440	43.73	
5600	6021	<i>3025</i>	<i>33.16</i>	<i>3077</i>	<i>34.47</i>	<i>3128</i>	<i>35.79</i>	<i>3178</i>	<i>37.11</i>	<i>3227</i>	<i>38.44</i>	<i>3275</i>	<i>39.77</i>	<i>3322</i>	<i>41.10</i>	<i>3368</i>	<i>42.44</i>	<i>3414</i>	<i>43.77</i>	3459	45.12	
5750	6182	<i>3045</i>	<i>34.29</i>	<i>3096</i>	<i>35.63</i>	<i>3147</i>	<i>36.98</i>	<i>3197</i>	<i>38.34</i>	<i>3246</i>	<i>39.69</i>	<i>3294</i>	<i>41.05</i>	<i>3341</i>	<i>42.41</i>	<i>3387</i>	<i>43.78</i>	3433	45.15	3478	46.52	
5900	6344	<i>3064</i>	<i>35.44</i>	<i>3116</i>	<i>36.82</i>	<i>3166</i>	<i>38.20</i>	<i>3216</i>	<i>39.58</i>	<i>3265</i>	<i>40.97</i>	<i>3313</i>	<i>42.36</i>	<i>3360</i>	<i>43.75</i>	<i>3406</i>	<i>45.15</i>	3451	46.55	3496	47.95	
6050	6505	3083	36.61	3135	38.02	3186	39.44	3235	40.85	3284	42.27	3332	43.69	3379	45.12	3425	46.54	3470	47.97	3515	49.41	
6200	6666	3103	37.81	3155	39.25	3205	40.70	3255	42.15	3303	43.60	3351	45.05	<i>3398</i>	<i>46.50</i>	3444	47.96	3489	49.43	3534	50.89	
6350	6827	3124	39.08	3174	40.51	3225	41.99	3274	43.46	3323	44.95	3370	46.43	<i>3417</i>	<i>47.92</i>	3463	49.41	3509	50.90	3553	52.40	
6500	6989	3145	40.43	3195	41.84	3244	43.30	3294	44.81	3342	46.32	3390	47.84	3436	49.36	3483	50.88	3528	52.40	3572	53.93	

Volume CFM	O.V. fpm	32" SP		33" SP		34" SP		35" SP		36" SP		37" SP		38" SP		39" SP		40" SP		41" SP		
		RPM	bhp	RPM	bhp	RPM	bhp	RPM	bhp	RPM	bhp	RPM	bhp	RPM	bhp	RPM	bhp	RPM	bhp	RPM	bhp	RPM
2750	2956	3308	25.43																			
2900	3118	3312	26.62	3362	27.51	3412	28.40	3460	29.30	3508	30.20											
3050	3279	3316	27.81	3366	28.74	3416	29.67	3464	30.60	3512	31.53	3560	32.47	3606	33.41	3652	34.35	3698	35.30			
3200	3440	3320	29.01	3370	29.97	3420	30.94	3468	31.90	3516	32.87	3564	33.85	3610	34.82	3656	35.80	3702	36.78	3747	37.77	
3350	3602	3324	30.22	3375	31.21	3424	32.21	3472	33.21	3520	34.22	3568	35.23	3614	36.24	3660	37.25	3706	38.27	3751	39.29	
3500	3763	3329	31.43	3379	32.46	3428	33.49	3477	34.53	3525	35.57	3572	36.62	3618	37.66	3665	38.71	3710	39.77	3755	40.82	
3650	3924	3333	32.64	3383	33.71	3432	34.78	3481	35.86	3529	36.93	3576	38.01	3623	39.10	3669	40.18	3714	41.27	3759	42.36	
3800	4086	3337	33.86	3387	34.97	3436	36.08	3485	37.19	3533	38.30	3580	39.41	3627	40.53	3673	41.65	3718	42.78	3763	43.90	
3950	4247	3349	34.84	3396	36.08	3442	37.34	3489	38.52	3537	39.67	3584	40.82	3631	41.98	3677	43.13	3722	44.29	3767	45.46	
4100	4408	3362	35.79	3409	37.06	3455	38.34	3500	39.63	3544	40.93	3588	42.24	3635	43.43	3681	44.62	3727	45.81	3771	47.01	
4250	4569	3376	36.76	3422	38.06	3468	39.36	3513	40.68	3558	42.00	3602	43.33	3645	44.67	3688	46.02	3731	47.34	3776	48.58	
4400	4731	3389	37.75	3436	39.07	3481	40.40	3526	41.74	3571	43.08	3615	44.44	3658	45.80	3701	47.18	3743	48.56	3785	49.95	
4550	4892	3402	38.75	3449	40.09	3495	41.45	3540	42.81	3584	44.18	3628	45.56	3671	46.95	3714	48.35	3756	49.75	3798	51.17	
4700	5053	3416	39.76	3462	41.13	3508	42.51	3553	43.89	3598	45.29	3641	46.69	3685	48.11	3727	49.53	3770	50.96			
4850	5215	3429	40.78	3476	42.18	3522	43.58	3567	44.99	3611	46.42	3655	47.85	3698	49.28	3741	50.73	3783	52.19			
5000	5376	3443	41.82	3489	43.24	3535	44.67	3580	46.11	3625	47.55	3668	49.01	3712	50.47	3754	51.94	3796	53.42			
5150	5537	3457	42.87	3503	44.32	3549	45.77	3594	47.24	3638	48.71	3682	50.19	3725	51.68	37						

Belt Drive Ratings Table — at 70°F | .075 density | sea level

RBE-15

Wheel
Diameter - 26.125"

Outlet OD
Size - 14.5" x 12.75"
Area - 1.24 ft² ID

Inlet OD
Size - 15"
Area - 1.27 ft²

Series 18 = light text face above Series 25
Series 25 = bold text face
Series 32 = *italic text face below Series 25*

Volume CFM	O.V. fpm	2" SP		4" SP		6" SP		8" SP		10" SP		12" SP		13" SP		14" SP		15" SP		16" SP		
		RPM	bhp	RPM	bhp	RPM	bhp	RPM	bhp	RPM	bhp	RPM	bhp	RPM	bhp	RPM	bhp	RPM	bhp	RPM	bhp	RPM
1600	1290	742	0.81	1030	1.70																	
1850	1491	757	0.95	1035	1.90																	
2100	1693	774	1.10	1042	2.13	1265	3.29															
2350	1895	796	1.29	1055	2.39	1269	3.60	1459	4.95													
2600	2096	819	1.49	1069	2.67	1278	3.95	1463	5.35	1630	6.87											
2850	2298	842	1.72	1084	2.95	1290	4.35	1469	5.77	1635	7.37	1786	9.03	1857	9.88							
3100	2500	869	1.97	1106	3.31	1305	4.76	1480	6.29	1640	7.87	1791	9.63	1862	10.53	1930	11.44	1995	12.37			
3350	2701	896	2.26	1128	3.69	1319	5.18	1493	6.82	1649	8.49	1796	10.24	1866	11.18	1934	12.14	2000	13.11	2063	14.09	
3600	2903	925	2.57	1151	4.09	1337	5.65	1508	7.37	1661	9.15	1804	10.94	1871	11.85	1939	12.85	2005	13.86	2068	14.89	
3850	3104	953	2.91	1174	4.52	1359	6.19	1522	7.93	1675	9.82	1815	11.73	1882	12.69	1947	13.65	2010	14.62	2073	15.70	
4100	3306	983	3.28	1198	4.98	1382	6.77	1539	8.53	1690	10.51	1828	12.53	1893	13.55	1957	14.57	2020	15.59	2080	16.61	
4350	3508	1014	3.70	1225	5.50	1404	7.37	1561	9.25	1705	11.22	1843	13.34	1908	14.42	1970	15.49	2031	16.58	2091	17.66	
4600	3709	1046	4.16	1252	6.06	1427	8.01	1583	10.00	1722	11.98	1858	14.18	1922	15.31	1985	16.44	2045	17.57	2103	18.72	
4850	3911	1079	4.66	1280	6.66	1451	8.68	1606	10.78	1744	12.88	1873	15.04	1937	16.22	1999	17.40	2060	18.59	2118	19.79	
5100	4112	1112	5.20	1309	7.29	1475	9.39	1629	11.60	1766	13.81	1891	16.01	1952	17.16	2014	18.39	2074	19.64	2133	20.88	
5350	4314	1145	5.77	1337	7.97	1502	10.18	1652	12.46	1789	14.78	1913	17.09	1972	18.24	2029	19.41	2089	20.71	2147	22.01	
5600	4516	1179	6.40	1366	8.68	1530	11.02	1675	13.36	1812	15.79	1936	18.21	1994	19.42	2051	20.63	2105	21.84	2162	23.16	
5850	4717	1214	7.07	1396	9.45	1558	11.90	1699	14.29	1835	16.84	1958	19.38	2017	20.64	2073	21.91	2128	23.17	2180	24.43	
6100	4919	1250	7.81	1428	10.29	1586	12.83	1726	15.34	1858	17.94	1981	20.59	2039	21.91	2096	23.23	2150	24.54	2203	25.86	
6350	5120	1286	8.61	1460	11.19	1615	13.81	1754	16.44	1881	19.07	2004	21.84	2062	23.22	2118	24.59	2172	25.97	2225	27.34	
6600	5322	1323	9.45	1492	12.14	1643	14.84	1782	17.59	1906	20.28	2027	23.14	2085	24.58	2141	26.01	2195	27.44	2247	28.86	
6850	5524	1360	10.36	1525	13.14	1672	15.92	1810	18.79	1933	21.60	2051	24.49	2108	25.98	2164	27.47	2218	28.96	2270	30.44	
7100	5725	1397	11.33	1558	14.20	1702	17.05	1838	20.04	1961	22.98	2074	25.88	2132	27.44	2187	28.98	2241	30.53	2293	32.07	
7350	5927	1435	12.36	1591	15.32	1733	18.29	1866	21.35	1989	24.41	2101	27.41	2155	28.94	2211	30.55	2264	32.15	2316	33.75	
7600	6129	1473	13.45	1624	16.50	1765	19.59	1895	22.72	2017	25.90	2128	29.02	2181	30.57	2234	32.16	2287	33.82	2339	35.48	
7850	6330	1511	14.61	1658	17.74	1797	20.96	1924	24.15	2045	27.45	2156	30.69	2209	32.30	2260	33.89	2311	35.55	2363	37.27	
8100	6532	1549	15.84	1692	19.05	1830	22.39	1953	25.65	2073	29.06	2184	32.43	2236	34.09	2287	35.74	2336	37.39	2386	39.11	
8350	6733	1587	17.14	1727	20.45	1862	23.89	1984	27.24	2102	30.74	2212	34.22	2264	35.95	2314	37.66	2363	39.37	2411	41.06	
8600	6935	1626	18.51	1764	21.94	1895	25.46	2016	28.93	2131	32.49	2240	36.09	2292	37.87	2342	39.64	2391	41.41	2438	43.16	
Volume CFM	O.V. fpm	17" SP		18" SP		19" SP		20" SP		21" SP		22" SP		23" SP		24" SP		25" SP		26" SP		
		RPM	bhp	RPM	bhp	RPM	bhp	RPM	bhp	RPM	bhp	RPM	bhp	RPM	bhp	RPM	bhp	RPM	bhp	RPM	bhp	RPM
3400	2741	2126	15.26	2186	16.27	2244	17.29															
3600	2903	2130	15.93	2190	16.99	2248	18.05	2304	19.12	2359	20.20											
3800	3064	2134	16.62	2193	17.71	2251	18.81	2308	19.91	2363	21.03	2417	22.16	2470	23.30							
4000	3225	2137	17.30	2197	18.43	2255	19.57	2312	20.71	2367	21.87	2421	23.04	2474	24.22	2525	25.40	2576	26.60	2625	27.80	
4200	3387	2143	18.08	2201	19.16	2259	20.34	2316	21.52	2371	22.71	2425	23.92	2478	25.13	2529	26.36	2580	27.59	2629	28.83	
4400	3548	2152	18.97	2209	20.06	2264	21.17	2319	22.33	2375	23.56	2429	24.81	2481	26.06	2533	27.32	2583	28.59	2633	29.87	
4600	3709	2160	19.86	2217	21.01	2273	22.15	2327	23.30	2379	24.45	2432	25.70	2485	26.99	2537	28.28	2587	29.59	2637	30.91	
4800	3870	2171	20.76	2226	21.96	2281	23.15	2335	24.35	2388	25.54	2439	26.74	2489	27.95	2541	29.26	2591	30.60	2640	31.96	
5000	4032	2183	21.67	2238	22.91	2291	24.16	2344	25.40	2396	26.64	2448	27.89	2498	29.14	2547	30.39	2595	31.64	2644	33.01	
5200	4193	2195	22.60	2250	23.88	2303	25.17	2355	26.46	2405	27.76	2456	29.05	2507	30.34	2556	31.64	2604	32.93	2651	34.24	
5400	4354	2207	23.55	2261	24.87	2315	26.20	2366	27.53	2417	28.87	2467	30.21	2515	31.56	2564	32.90	2612	34.24	2659	35.59	
5600	4516	2218	24.51	2273	25.88	2326	27.25	2378	28.62	2429	30.00	2478	31.39	2527	32.78	2574	34.17	2621	35.57	2668	36.96	
5800	4677	2230	25.50	2285	26.90	2338	28.32	2390	29.73	2441	31.15	2490	32.58	2538	34.01	2586	35.45	2632	36.89	2677	38.33	
6000	4838	2245	26.57	2297	27.95	2350	29.40	2402	30.86	2452	32.32	2502	33.79	2550	35.26	2597	36.74	2644	38.23	2689	39.71	
6200	5000	2262	27.78	2312	29.12	2362	30.51	2414	32.01	2464	33.51	2514	35.02	2562	36.54	2609	38.06	2655	39.58	2701	41.11	
6400	5161	2280	29.02	2330	30.40	2378	31.78	2426	33.17	2476	34.72	2525	36.28	2574	37.83	2621	39.40	2667	40.96	2712	42.53	
6600	5322	2298	30.29	2348	31.71	2396	33.14	2443	34.56	2489	35.98	2537	37.55	2586	39.15	2633	40.75	2679	42.36	2724	43.97	
6800	5483	2316	31.59	2366	33.06	2414	34.53	2461	35.99	2507	37.46	2551	38.92	2598	40.49	2645	42.13	2691	43.78	2736	45.44	
7000	5645	2334	32.93	2384	34.44	2432	35.95	2479	37.46	2524	38.97	2569	40.48	2613	41.99	2657	43.53	2703	45.23	2748	46.92	
7200	5806	2353	34.29	2402	35.85	2450	37.41	2497	38.97	2542	40.52	2587	42.07	2631	43.62	2673	45.17	2715	46.73	2760	48.43	
7400	5967	2371	35.70	2420	37.30	2468	38.90	2515	40.50	2560	42.10	2605	43.70	2648	45.29	2691	46.89	2733	48.48	2774	50.08	
7600	6129	2389	37.13	2438	38.78	2486	40.43	2533	42.08	2578	43.72	2623	45.36	2666	47.00	2709	48.64	2751	50.28	2792	51.92	
7800	6290	2408	38.61	2457	40.30	2505	41.99	2551	43.69	2596	45.37	2641	47.06	2684	48.75	2727	50.43	2769	52.11	2810	53.79	
8000	6451	2427	40.11	2475	41.86	2523	43.59	2569	45.33	2615	47.07	2659	48.80	2702	50.53	2745	52.26	2787	53.98	2828	55.71	
8200	6612	2445	41.66	2494	43.45	2541	45.23	2588	47.02	2633	48.79	2677	50.57	2721	52.35	2763	54.12	2805	55.89	2846	57.66	
8400	6774	2464	43.24	2513	45.07	2560	46.91	2606	48.74	2651	50.56	2696	52.39	2739	54.21	2781	56.03	2823	57.84	2864	59.66	
8																						

RBE-15

Wheel
Diameter - 6.125"

Outlet OD
Size - 14.5" x 12.75"
Area - 1.24 ft² ID

Inlet OD
Size - 15
Area - 1.27 ft²

Series 25 = bold text face
Series 32 = *italic text face below Series 25*
Series 40 = tinted rating below Series 32

Volume CFM	O.V. fpm	22" SP		23" SP		24" SP		25" SP		26" SP		27" SP		28" SP		29" SP		30" SP		31" SP	
		RPM	bhp	RPM	bhp	RPM	bhp	RPM	bhp	RPM	bhp	RPM	bhp	RPM	bhp	RPM	bhp	RPM	bhp	RPM	bhp
4000	3225	2421	23.04	2474	24.22	2525	25.40	2576	26.60	2625	27.80										
4200	3387	2425	23.92	2478	25.13	2529	26.36	2580	27.59	2629	28.83										
4400	3548	2429	24.81	2481	26.06	2533	27.32	2583	28.59	2633	29.87	2678	30.08	2729	32.45	2776	33.76	2822	35.07	2867	36.39
4600	3709	2432	25.70	2485	26.99	2537	28.28	2587	29.59	2637	30.91	2685	32.24	2733	33.57	2780	34.91	2826	36.26	2871	37.62
4800	3870	2439	26.74	2489	27.95	2541	29.26	2591	30.60	2640	31.96	2689	33.32	2737	34.69	2784	36.07	2830	37.46	2875	38.86
5000	4032	2448	27.89	2498	29.14	2547	30.39	2595	31.64	2644	33.01	2693	34.41	2741	35.82	2787	37.24	2833	38.66	2879	40.10
5200	4193	2456	29.05	2507	30.34	2556	31.64	2604	32.93	2651	34.24	2697	35.54	2744	36.96	2791	38.41	2837	39.87	2882	41.35
5400	4354	2467	30.21	2515	31.56	2564	32.90	2612	34.24	2659	35.59	2706	36.94	2751	38.29	2796	39.64	2841	41.09	2886	42.60
5600	4516	2478	31.39	2527	32.78	2574	34.17	2621	35.57	2668	36.96	2714	38.35	2760	39.74	2804	41.14	2848	42.54	2891	43.95
5800	4677	2490	32.58	2538	34.01	2586	35.45	2632	36.89	2677	38.33	2723	39.78	2768	41.22	2813	42.66	2857	44.11	2900	45.55
6000	4838	2502	33.79	2550	35.26	2597	36.74	2644	38.23	2689	39.71	2734	41.21	2777	42.70	2821	44.19	2865	45.68	2908	47.18
6200	5000	2514	35.02	2562	36.54	2609	38.06	2655	39.58	2701	41.11	2745	42.65	2789	44.18	2832	45.73	2874	47.28	2917	48.82
6400	5161	2525	36.28	2574	37.83	2621	39.40	2667	40.96	2712	42.53	2757	44.11	2801	45.69	2844	47.27	2886	48.86	2927	50.46
6600	5322	2537	37.55	2586	39.15	2633	40.75	2679	42.36	2724	43.97	2769	45.59	2812	47.21	2855	48.84	2897	50.47	2939	52.10
6800	5483	2551	38.92	2598	40.49	2645	42.13	2691	43.78	2736	45.44	2781	47.10	2824	48.76	2867	50.43	2909	52.10	2951	53.78
7000	5645	2569	40.48	2613	41.99	2657	43.53	2703	45.23	2748	46.92	2792	48.63	2836	50.33	2879	52.04	2921	53.76	2963	55.47
7200	5806	2587	42.07	2631	43.62	2673	45.17	2715	46.73	2760	48.43	2804	50.18	2848	51.92	2891	53.68	2933	55.43	2974	57.19
7400	5967	2605	43.70	2648	45.29	2691	46.89	2733	48.48	2774	50.08	2816	51.75	2860	53.54	2903	55.34	2945	57.13	2986	58.94
7600	6129	2623	45.36	2666	47.00	2709	48.64	2751	50.28	2792	51.92	2832	53.55	2872	55.19	2915	57.02	2957	58.86	2998	60.70
7800	6290	2641	47.06	2684	48.75	2727	50.43	2769	52.11	2810	53.79	2850	55.47	2890	57.15	2929	58.83	2969	60.61	3010	62.50
8000	6451	2659	48.80	2702	50.53	2745	52.26	2787	53.98	2828	55.71	2868	57.43	2907	59.16	2946	60.88	2985	62.60	3022	64.33
8200	6612	2677	50.57	2721	52.35	2763	54.12	2805	55.89	2846	57.66	2886	59.43	2925	61.20	2964	62.97	3002	64.74	3040	66.50
8400	6774	2696	52.39	2739	54.21	2781	56.03	2823	57.84	2864	59.66	2904	61.47	2943	63.28	2982	65.10	3020	66.91	3058	68.72
8600	6935	2714	54.24	2757	56.10	2800	57.97	2841	59.83	2882	61.69	2922	63.55	2961	65.41	3000	67.27	3038	69.12	3076	70.98

Volume CFM	O.V. fpm	32" SP		33" SP		34" SP		35" SP		36" SP		37" SP		38" SP		39" SP		40" SP		41" SP	
		RPM	bhp	RPM	bhp	RPM	bhp	RPM	bhp	RPM	bhp	RPM	bhp	RPM	bhp	RPM	bhp	RPM	bhp	RPM	bhp
4550	3669	2915	38.67	2958	40.04	3002	41.41														
4700	3790	2917	39.63	2961	41.02	3005	42.42	3047	43.83	3089	45.25										
4850	3911	2920	40.58	2964	42.00	3007	43.43	3050	44.87	3092	46.32	3133	47.77	3174	49.23						
5000	4032	2923	41.54	2967	42.99	3010	44.45	3053	45.92	3095	47.39	3136	48.87	3177	50.36	3217	51.85	3257	53.36	3296	54.87
5150	4153	2926	42.50	2970	43.98	3013	45.47	3056	46.96	3098	48.47	3139	49.97	3180	51.49	3220	53.01	3260	54.55	3299	56.08
5300	4274	2929	43.47	2973	44.98	3016	46.49	3058	48.02	3100	49.55	3142	51.08	3183	52.63	3223	54.18	3263	55.74	3302	57.30
5450	4395	2932	44.44	2976	45.98	3019	47.52	3061	49.07	3103	50.63	3145	52.19	3185	53.77	3226	55.35	3266	56.93	3305	58.53
5600	4516	2935	45.42	2978	46.98	3022	48.55	3064	50.13	3106	51.72	3148	53.31	3188	54.91	3229	56.52	3268	58.13	3308	59.76
5750	4637	2940	46.59	2982	48.03	3025	49.59	3067	51.19	3109	52.81	3150	54.43	3191	56.06	3231	57.70	3271	59.34	3311	60.99
5900	4758	2947	47.84	2988	49.31	3029	50.79	3070	52.27	3112	53.90	3153	55.55	3194	57.21	3234	58.88	3274	60.55	3313	62.23
6050	4879	2953	49.09	2995	50.60	3036	52.11	3076	53.62	3116	55.14	3156	56.68	3197	58.37	3237	60.06	3277	61.76	3316	63.47
6200	5000	2959	50.35	3001	51.90	3042	53.44	3083	54.99	3123	56.54	3162	58.09	3201	59.64	3240	61.25	3280	62.98	3319	64.71
6350	5120	2966	51.63	3008	53.20	3049	54.78	3089	56.36	3129	57.94	3169	59.53	3208	61.12	3246	62.71	3284	64.30	3322	65.96
6500	5241	2974	52.90	3014	54.52	3055	56.13	3096	57.75	3136	59.36	3175	60.98	3214	62.60	3252	64.22	3290	65.85	3328	67.48
6650	5362	2983	54.17	3023	55.82	3063	57.48	3102	59.14	3142	60.79	3181	62.44	3220	64.10	3259	65.75	3297	67.41	3334	69.07
6800	5483	2992	55.46	3032	57.14	3071	58.83	3110	60.53	3149	62.22	3188	63.91	3227	65.60	3265	67.29	3303	68.98	3340	70.68
6950	5604	3000	56.76	3041	58.47	3080	60.19	3119	61.92	3158	63.65	3196	65.38	3233	67.12	3272	68.84	3309	70.56	3347	72.29
7100	5725	3009	58.07	3049	59.82	3089	61.57	3128	63.33	3166	65.09	3204	66.85	3242	68.62	3279	70.39	3316	72.16	3353	73.92
7250	5846	3018	59.40	3058	61.18	3098	62.96	3137	64.75	3175	66.54	3213	68.33	3251	70.13	3288	71.93	3324	73.74	3360	75.55
7400	5967	3027	60.74	3067	62.55	3107	64.37	3146	66.18	3184	68.01	3222	69.83	3259	71.66	3296	73.49	3333	75.33	3369	77.17
7550	6088	3036	62.10	3076	63.94	3115	65.78	3154	67.63	3193	69.49	3231	71.34	3268	73.20	3305	75.07	3342	76.94	3378	78.81
7700	6209	3045	63.47	3085	65.34	3124	67.22	3163	69.10	3202	70.98	3240	72.87	3277	74.76	3314	76.66	3350	78.56	3386	80.46
7850	6330	3054	64.85	3094	66.75	3133	68.66	3172	70.57	3211	72.49	3248	74.41	3286	76.33	3323	78.26	3359	80.19	3395	82.13
8000	6451	3063	66.25	3103	68.18	3142	70.12	3181	72.07	3220	74.01	3257	75.97	3295	77.92	3332	79.88	3368	81.84	3404	83.81
8150	6572	3073	67.71	3112	69.63	3151	71.60	3190	73.57	3228	75.55	3266	77.54	3304	79.52	3340	81.51	3377	83.51	3413	85.50
8300	6693	3086	69.39	3122	71.18	3160	73.09	3199	75.10	3237	77.11	3275	79.12	3313	81.14	3349	83.16	3386	85.19	3422	87.22
8450	6814	3099	71.10	3136	72.92	3172	74.74	3208	76.63	3246	78.68	3284	80.72	3321	82.77	3358	84.83	3395	86.88	3431	88.94
8600	6935	3112	72.83	3149	74.68	3185	76.54	3220	78.39	3255	80.26	3293	82.34	3330	84.42	3367	86.51	3404	88.59	3440	90.69
8750	7056	3126	74.58	3162	76.47	3198	78.35	3233	80.24	3268	82.13	3303	84.01	3339	86.08	3376	88.20	3413	90.32	3448	92.45
8900	7177	3139	76.36	3176	78.28	3211	80.20	3247	82.12	3282	84.04	3316	85.95	3350	87.87	3385	89.91	3421	92.06	3457	94.22
9050	7298	3153																			

RBE-17

Wheel

Diameter - 29.625"

Outlet OD

Size - 16.25" x 14.375"
Area - 1.59 ft² ID

Inlet OD

Size - 17"
Area - 1.57 ft²

Series 18 = light text face above Series 25
Series 25 = bold text face
Series 32 = *italic text face below Series 25*

Volume CFM	O.V. fpm	2" SP		4" SP		6" SP		8" SP		10" SP		12" SP		13" SP		14" SP		15" SP		16" SP			
		RPM	bhp	RPM	bhp	RPM	bhp	RPM	bhp	RPM	bhp	RPM	bhp	RPM	bhp	RPM	bhp	RPM	bhp	RPM	bhp	RPM	bhp
2700	1698	682	1.42	919	2.74	1115	4.24																
3000	1886	701	1.64	929	3.05	1119	4.60	1286	6.34														
3300	2075	719	1.88	941	3.38	1126	5.02	1290	6.81	1437	8.75												
3600	2264	739	2.15	953	3.72	1135	5.49	1294	7.30	1441	9.34	1574	11.46										
3900	2452	759	2.44	970	4.13	1147	5.98	1302	7.91	1445	9.95	1578	12.18	1641	13.32	1701	14.48	1759	15.65				
4200	2641	782	2.78	988	4.57	1159	6.48	1312	8.55	1451	10.64	1582	12.90	1644	14.10	1704	15.31	1762	16.54	1818	17.79		
4500	2830	805	3.14	1007	5.05	1171	7.00	1324	9.19	1460	11.43	1587	13.67	1648	14.88	1708	16.15	1766	17.44	1822	18.74		
4800	3018	829	3.53	1026	5.55	1189	7.63	1336	9.86	1471	12.22	1596	14.61	1655	15.80	1712	17.00	1770	18.34	1826	19.70		
5100	3207	853	3.96	1045	6.09	1208	8.30	1349	10.55	1483	13.04	1605	15.56	1664	16.83	1721	18.10	1776	19.37	1830	20.67		
5400	3396	878	4.43	1065	6.66	1226	9.00	1365	11.34	1496	13.88	1617	16.53	1675	17.87	1730	19.21	1785	20.55	1838	21.89		
5700	3584	904	4.95	1088	7.31	1245	9.74	1383	12.21	1508	14.74	1630	17.51	1687	18.92	1742	20.33	1795	21.74	1847	23.16		
6000	3773	930	5.51	1111	7.99	1264	10.52	1401	13.12	1523	15.71	1642	18.53	1699	19.99	1754	21.47	1807	22.95	1858	24.43		
6300	3962	957	6.12	1134	8.72	1283	11.33	1420	14.07	1542	16.79	1654	19.57	1711	21.10	1766	22.63	1819	24.17	1870	25.73		
6600	4150	984	6.77	1157	9.49	1304	12.20	1439	15.06	1560	17.92	1670	20.77	1723	22.23	1778	23.83	1831	25.43	1882	27.05		
6900	4339	1012	7.47	1181	10.30	1326	13.16	1458	16.09	1579	19.09	1689	22.07	1741	23.56	1791	25.05	1843	26.72	1895	28.40		
7200	4528	1040	8.22	1205	11.17	1349	14.17	1477	17.17	1597	20.30	1707	23.42	1759	24.97	1809	26.53	1857	28.08	1907	29.78		
7500	4716	1068	9.03	1229	12.08	1372	15.22	1497	18.29	1616	21.56	1726	24.81	1777	26.44	1827	28.06	1875	29.67	<i>1922</i>	<i>31.29</i>		
7800	4905	1098	9.91	1255	13.09	1395	16.33	1519	19.54	1636	22.87	1744	26.26	1796	27.95	1845	29.63	1893	31.32	1940	33.00		
8100	5094	1128	10.85	1282	14.15	1419	17.50	1542	20.84	1655	24.22	1763	27.75	1815	29.51	1864	31.26	1912	33.02	1958	34.77		
8400	5283	1158	11.85	1308	15.27	1442	18.72	1564	22.21	1674	25.63	1782	29.30	1833	31.12	1883	32.95	1930	34.77	1977	36.58		
8700	5471	1188	12.92	1335	16.45	1466	19.99	1587	23.63	1697	27.19	1802	30.89	1852	32.79	1902	34.68	1949	36.57	1995	38.46		
9000	5660	1219	14.05	1362	17.70	1490	21.33	1611	25.11	1719	28.82	1821	32.55	1872	34.51	1921	36.47	1968	38.43	2014	40.38		
9300	5849	1250	15.26	1389	19.01	1516	22.76	1634	26.66	1742	30.51	1841	34.30	1891	36.29	1940	38.32	1987	40.35	2033	42.37		
9600	6037	1281	16.53	1416	20.39	1542	24.29	1658	28.27	1765	32.26	1864	36.19	1911	38.14	1959	40.23	2006	42.32	2052	44.42		
9900	6226	1312	17.87	1444	21.83	1568	25.88	1681	29.94	1788	34.08	1886	38.15	1933	40.17	1978	42.19	2025	44.36	2071	46.52		
10200	6415	1343	19.30	1472	23.35	1594	27.55	1705	31.69	1812	35.97	1909	40.19	1956	42.27	2001	44.35	2045	46.45	2090	48.69		
10500	6603	1375	20.80	1500	24.95	1621	29.29	1730	33.50	1835	37.93	1932	42.29	1978	44.45	2023	46.59	2066	48.73	2109	50.91		
10800	6792	1407	22.37	1529	26.66	1648	31.11	1755	35.45	1859	39.96	1955	44.47	2001	46.70	2046	48.91	2089	51.12	2131	53.31		
11100	6981	1438	24.04	1559	28.46	1675	33.00	1781	37.49	1882	42.07	1979	46.72	2024	49.02	2069	51.31	2112	53.58	2153	55.85		
Volume CFM	O.V. fpm	17" SP		18" SP		19" SP		20" SP		21" SP		22" SP		23" SP		24" SP		25" SP		26" SP			
		RPM	bhp	RPM	bhp	RPM	bhp	RPM	bhp	RPM	bhp	RPM	bhp	RPM	bhp	RPM	bhp	RPM	bhp	RPM	bhp	RPM	bhp
4200	2641	1873	19.05																				
4450	2798	1876	19.89	1929	21.21	1980	22.54																
4700	2955	1879	20.73	1932	22.10	1983	23.48	2033	24.88	2082	26.28	2129	27.70										
4950	3113	1882	21.58	1935	23.00	1986	24.43	2036	25.87	2085	27.32	2133	28.79	2179	30.27	2225	31.76						
5200	3270	1885	22.44	1938	23.90	1989	25.38	2039	26.86	2088	28.36	2136	29.88	2182	31.40	2228	32.94	2272	34.49	2316	36.06		
5450	3427	1891	23.46	1942	24.82	1993	26.33	2043	27.87	2091	29.42	2139	30.98	2185	32.55	2231	34.13	2276	35.73	2319	37.34		
5700	3584	1899	24.58	1949	25.99	1998	27.42	2046	28.88	2095	30.47	2142	32.08	2189	33.70	2234	35.33	2279	36.98	2322	38.63		
5950	3742	1906	25.70	1956	27.18	2005	28.66	2053	30.14	2099	31.63	2145	33.19	2192	34.86	2237	36.53	2282	38.23	2326	39.93		
6200	3899	1916	26.83	1964	28.38	2013	29.91	2060	31.45	2106	32.99	2152	34.54	2196	36.09	2240	37.75	2285	39.48	2329	41.23		
6450	4056	1926	27.97	1974	29.57	2021	31.17	2068	32.78	2114	34.38	2159	35.98	2203	37.59	2247	39.20	2289	40.81	2332	42.54		
6700	4213	1936	29.14	1984	30.78	2031	32.44	2077	34.10	2122	35.77	2167	37.44	2211	39.10	2254	40.76	2296	42.43	2338	44.10		
6950	4371	1946	30.32	1995	32.02	2042	33.73	2087	35.45	2132	37.17	2175	38.90	2218	40.63	2261	42.35	2304	44.08	2345	45.80		
7200	4528	1957	31.53	2005	33.28	2052	35.04	2097	36.81	2142	38.58	2186	40.36	2228	42.15	2270	43.95	2311	45.74	2353	47.52		
7450	4685	1967	32.75	2015	34.56	2062	36.38	2107	38.19	2152	40.02	2196	41.85	2238	43.69	2280	45.54	2321	47.39	2361	49.25		
7700	4842	1979	34.09	2025	35.87	2072	37.73	2118	39.60	2162	41.48	2206	43.37	2248	45.26	2290	47.16	2331	49.06	2371	50.97		
7950	5000	1994	35.59	2038	37.31	2082	39.11	2128	41.04	2172	42.97	2216	44.91	2258	46.85	2300	48.80	<i>2341</i>	<i>50.76</i>	<i>2381</i>	<i>52.72</i>		
8200	5157	2009	37.14	2053	38.90	2096	40.67	2138	42.50	2183	44.48	2226	46.47	2269	48.47	<i>2310</i>	<i>50.47</i>	2351	52.48	2391	54.49		
8450	5314	2025	38.72	2068	40.54	2111	42.36	2152	44.19	2193	46.02	2236	48.06	<i>2279</i>	<i>50.11</i>	<i>2320</i>	<i>52.16</i>	2361	54.23	2401	56.29		
8700	5471	2040	40.34	2084	42.22	2126	44.10	2167	45.97	2208	47.85	2247	49.72	2289	51.78	2331	53.88	2371	56.00	2411	58.12		
8950	5628	2056	42.00	2099	43.93	2141	45.87	2183	47.80	2223	49.73	<i>2263</i>	<i>51.66</i>	2301	53.59	2341	55.63	2382	57.80	2421	59.97		
9200	5786	2071	43.70	2115	45.69	2157	47.68	2198	49.67	<i>2238</i>	<i>51.65</i>	2278	53.64	2316	55.62	2354	57.61	2392	59.63	2432	61.85		
9450	5943	2087	45.44	2130	47.49	2172	49.53	<i>2214</i>	<i>51.58</i>	<i>2254</i>	<i>53.62</i>	2293	55.66	2332	57.70	2369	59.74	2406	61.78	2443	63.81		
9700	6100	2103	47.22	2146																			

RBE-17

Wheel
Diameter - 29.625"

Outlet OD
Size - 16.25" x 14.375"
Area - 1.59 ft² ID

Inlet OD
Size - 17"
Area - 1.57 ft²

Series 25 = bold text face
Series 32 = *italic text face below Series 25*
Series 40 = tinted rating below Series 32

Volume CFM	O.V. fpm	22" SP		23" SP		24" SP		25" SP		26" SP		27" SP		28" SP		29" SP		30" SP		31" SP		
		RPM	bhp	RPM	bhp	RPM	bhp	RPM	bhp	RPM	bhp	RPM	bhp	RPM	bhp	RPM	bhp	RPM	bhp	RPM	bhp	RPM
4700	2955	2129	27.70																			
4950	3113	2133	28.79	2179	30.27	2225	31.76															
5200	3270	2136	29.88	2182	31.40	2228	32.94	2272	34.49	2316	36.06	2359	37.63									
5450	3427	2139	30.98	2185	32.55	2231	34.13	2276	35.73	2319	37.34	2362	38.96	2404	40.59	2446	42.23					
5700	3584	2142	32.08	2189	33.70	2234	35.33	2279	36.98	2322	38.63	2365	40.30	2407	41.98	2449	43.67	2489	45.37	2529	47.08	
5950	3742	2145	33.19	2192	34.86	2237	36.53	2282	38.23	2326	39.93	2368	41.64	2411	43.37	2452	45.10	2492	46.85	2532	48.61	
6200	3899	2152	34.54	2196	36.09	2240	37.75	2285	39.48	2329	41.23	2372	42.99	2414	44.76	2455	46.55	2496	48.34	2536	50.15	
6450	4056	2159	35.98	2203	37.59	2247	39.20	2289	40.81	2332	42.54	2375	44.35	2417	46.17	2458	48.00	2499	49.84	2539	51.69	
6700	4213	2167	37.44	2211	39.10	2254	40.76	2296	42.43	2338	44.10	2379	45.78	2420	47.58	2461	49.46	2502	51.35	2542	53.25	
6950	4371	2175	38.90	2218	40.63	2261	42.35	2304	44.08	2345	45.80	2386	47.53	2426	49.27	2465	51.01	2505	52.86	2545	54.81	
7200	4528	2186	40.36	2228	42.15	2270	43.95	2311	45.74	2353	47.52	2394	49.31	2434	51.10	2473	52.89	2511	54.69	2549	56.49	
7450	4685	2196	41.85	2238	43.69	2280	45.54	2321	47.39	2361	49.25	2401	51.10	2441	52.95	2480	54.79	2519	56.65	2557	58.50	
7700	4842	2206	43.37	2248	45.26	2290	47.16	2331	49.06	2371	50.97	2410	52.89	2449	54.81	2488	56.72	2526	58.63	2564	60.54	
7950	5000	2216	44.91	2258	46.85	2300	48.80	2341	50.76	2381	52.72	2420	54.69	2459	56.66	2497	58.64	2534	60.63	2572	62.60	
8200	5157	2226	46.47	2269	48.47	2310	50.47	2351	52.48	2391	54.49	2430	56.51	2469	58.54	2507	60.57	2544	62.61	2580	64.65	
8450	5314	2236	48.06	2279	50.11	2320	52.16	2361	54.23	2401	56.29	2440	58.36	2479	60.44	2517	62.53	2554	64.61	2590	66.71	
8700	5471	2247	49.72	2289	51.78	2331	53.88	2371	56.00	2411	58.12	2450	60.24	2489	62.37	2527	64.51	2564	66.65	2600	68.80	
8950	5628	2263	51.66	2301	53.59	2341	55.63	2382	57.80	2421	59.97	2461	62.15	2499	64.33	2537	66.52	2574	68.71	2611	70.91	
9200	5786	2278	53.64	2316	55.62	2354	57.61	2395	59.63	2433	61.85	2471	64.08	2509	66.32	2547	68.56	2584	70.80	2621	73.06	
9450	5943	2293	55.66	2332	57.70	2369	59.74	2406	61.78	2443	63.81	2481	66.04	2520	68.33	2557	70.63	2594	72.92	2631	75.23	
9700	6100	2309	57.72	2347	59.82	2385	61.91	2422	64.01	2458	66.10	2494	68.19	2530	70.37	2568	72.72	2605	75.07	2641	77.43	
9950	6257	2324	59.83	2362	61.98	2400	64.13	2437	66.28	2473	68.43	2509	70.57	2544	72.72	2578	74.86	2615	77.25	2651	79.66	
10200	6415	2339	61.99	2378	64.19	2415	66.40	2452	68.60	2488	70.80	2524	73.01	2559	75.21	2593	77.40	2627	79.60	2662	81.92	
10450	6572	2355	64.19	2393	66.45	2431	68.71	2468	70.97	2504	73.23	2539	75.48	2574	77.74	2608	79.99	2642	82.25	2675	84.50	
10700	6729	2371	66.44	2409	68.76	2446	71.07	2483	73.39	2519	75.70	2555	78.01	2589	80.32	2624	82.63	2657	84.94	2690	87.25	
10950	6886	2387	68.73	2425	71.11	2462	73.48	2499	75.85	2535	78.22	2570	80.59	2605	82.96	2639	85.32	2673	87.68	2706	90.05	
Volume CFM	O.V. fpm	32" SP		33" SP		34" SP		35" SP		36" SP		37" SP		38" SP		39" SP		40" SP		41" SP		
		RPM	bhp	RPM	bhp	RPM	bhp	RPM	bhp	RPM	bhp	RPM	bhp	RPM	bhp	RPM	bhp	RPM	bhp	RPM	bhp	RPM
5700	3584	2569	48.80																			
5900	3710	2571	50.06	2610	51.83	2648	53.61															
6100	3836	2574	51.32	2612	53.13	2650	54.95	2688	56.78	2725	58.61	2762	60.46									
6300	3962	2576	52.60	2615	54.44	2653	56.29	2691	58.16	2728	60.03	2764	61.92	2800	63.81	2836	65.71					
6500	4088	2579	53.87	2617	55.75	2656	57.64	2693	59.55	2730	61.46	2767	63.38	2803	65.31	2838	67.25	2873	69.20	2908	71.16	
6700	4213	2581	55.15	2620	57.07	2658	59.00	2696	60.94	2733	62.89	2769	64.85	2805	66.81	2841	68.79	2876	70.78	2911	72.78	
6900	4339	2584	56.44	2622	58.40	2661	60.36	2698	62.34	2735	64.32	2772	66.32	2808	68.32	2843	70.34	2878	72.36	2913	74.40	
7100	4465	2586	57.73	2625	59.72	2663	61.73	2701	63.74	2738	65.76	2774	67.80	2810	69.84	2846	71.89	2881	73.95	2916	76.03	
7300	4591	2590	59.12	2628	61.06	2666	63.10	2703	65.15	2740	67.21	2777	69.28	2813	71.36	2848	73.45	2884	75.55	2918	77.66	
7500	4716	2596	60.78	2632	62.65	2669	64.53	2706	66.56	2743	68.66	2779	70.77	2815	72.89	2851	75.02	2886	77.15	2921	79.30	
7700	4842	2602	62.45	2638	64.37	2675	66.29	2710	68.22	2746	70.15	2782	72.27	2818	74.42	2853	76.58	2889	78.76	2923	80.94	
7900	4968	2608	64.14	2644	66.10	2681	68.07	2716	70.04	2751	72.01	2786	73.99	2820	75.96	2856	78.16	2891	80.37	2926	82.59	
8100	5094	2614	65.84	2650	67.85	2687	69.86	2722	71.87	2757	73.89	2792	75.91	2826	77.93	2860	79.96	2894	81.99	2928	84.25	
8300	5220	2620	67.54	2656	69.61	2693	71.66	2728	73.72	2763	75.78	2798	77.84	2832	79.91	2866	81.98	2900	84.05	2933	86.13	
8500	5345	2628	69.24	2664	71.35	2699	73.48	2734	75.59	2769	77.69	2804	79.80	2838	81.91	2872	84.02	2905	86.14	2938	88.26	
8700	5471	2637	70.95	2672	73.11	2707	75.27	2741	77.44	2775	79.61	2810	81.77	2844	83.92	2878	86.08	2911	88.24	2944	90.40	
8900	5597	2645	72.68	2680	74.88	2715	77.09	2749	79.30	2783	81.51	2817	83.73	2850	85.95	2884	88.15	2917	90.36	2950	92.56	
9100	5723	2653	74.43	2688	76.67	2723	78.92	2757	81.17	2791	83.43	2825	85.69	2858	87.96	2890	90.23	2923	92.49	2956	94.74	
9300	5849	2661	76.20	2696	78.48	2731	80.77	2765	83.06	2799	85.36	2833	87.66	2866	89.97	2898	92.29	2931	94.61	2962	96.93	
9500	5974	2669	77.99	2704	80.31	2739	82.64	2774	84.98	2807	87.32	2841	89.66	2874	92.01	2906	94.36	2939	96.72	2970	99.09	
9700	6100	2677	79.79	2712	82.16	2747	84.53	2782	86.91	2815	89.29	2849	91.68	2882	94.07	2914	96.46	2947	98.87	2978	101.27	
9900	6226	2685	81.62	2721	84.03	2755	86.44	2790	88.86	2824	91.28	2857	93.71	2890	96.14	2923	98.58	2955	101.03	2986	103.47	
10100	6352	2693	83.46	2729	85.91	2764	88.37	2798	90.83	2832	93.30	2865	95.77	2898	98.24	2931	100.72	2963	103.21	2994	105.69	
10300	6477	2702	85.33	2737	87.82	2772	90.32	2806	92.82	2840	95.33	2873	97.84	2906	100.36	2939	102.88	2971	105.41	3003	107.94	
10500	6603	2711	87.31	2745	89.75	2780	92.29	2814	94.83	2848	97.38	2881	99.94	2914	102.50	2947	105.06	2979	107.63	3011	110.20	
10700	6729	2723	89.56	2755	91.86	2788	94.28	2822	96.87	2856	99.46	2890	102.06	2923	104.66	2955	107.26	2987	109.87	3019	112.49	
10900	6855	2735	91.83	2767	94.18	2799	96.54	2831	98.92	2864	101.55	2898	104.19	2931	106.84	2963	109.49	2995	112.14	3027	114.80	
11100	6981	2747	94.15	2780	96.54	2811	98.93	2842	101.33	2873	103.72	2906	106.35	2939	109.04	2971	111.73	3003	114.42	3035	117.13	

Belt Drive Ratings Table — at 70°F | .075 density | sea level

RBE-19

Wheel
Diameter - 33"

Outlet OD
Size - 18.75" x 15.875"
Area - 1.97 ft² ID

Inlet OD
Size - 19"
Area - 1.96 ft²

Series 18 = light text face above Series 25
Series 25 = bold text face
Series 32 = *italic text face below Series 25*

Volume CFM	O.V. fpm	2" SP		4" SP		6" SP		8" SP		10" SP		12" SP		13" SP		14" SP		15" SP		16" SP			
		RPM	bhp	RPM	bhp	RPM	bhp	RPM	bhp	RPM	bhp	RPM	bhp	RPM	bhp	RPM	bhp	RPM	bhp	RPM	bhp	RPM	bhp
2500	1269	584	1.27																				
2900	1472	596	1.49	810	2.96																		
3300	1675	611	1.73	819	3.35	990	5.13																
3700	1878	627	2.00	830	3.78	994	5.63	1143	7.71														
4100	2081	644	2.30	842	4.22	1005	6.24	1146	8.37	1277	10.71												
4500	2284	661	2.64	858	4.70	1016	6.88	1154	9.13	1280	11.52	1399	14.10										
4900	2487	682	3.03	874	5.20	1028	7.55	1165	9.96	1287	12.42	1402	15.08	1458	16.47	1511	17.87						
5300	2690	703	3.45	890	5.74	1042	8.25	1176	10.82	1298	13.45	1407	16.13	1461	17.53	1514	19.02	1566	20.52	1616	22.04		
5700	2893	724	3.91	907	6.35	1058	8.98	1188	11.72	1309	14.52	1419	17.36	1470	18.79	1520	20.24	1569	21.75	1619	23.35		
6100	3096	746	4.41	924	7.01	1074	9.75	1203	12.65	1320	15.61	1430	18.62	1481	20.14	1531	21.66	1578	23.20	1625	24.75		
6500	3299	770	4.99	942	7.72	1090	10.56	1219	13.63	1332	16.74	1441	19.92	1492	21.52	1542	23.13	1590	24.75	1636	26.38		
6900	3502	796	5.63	963	8.50	1107	11.47	1234	14.64	1348	17.92	1452	21.25	1504	22.94	1553	24.63	1601	26.34	1647	28.05		
7300	3705	821	6.33	984	9.33	1124	12.45	1250	15.70	1364	19.14	1467	22.63	1515	24.40	1564	26.18	1612	27.97	1658	29.77		
7700	3908	847	7.09	1005	10.21	1141	13.47	1267	16.83	1380	20.42	1482	24.07	1530	25.91	1577	27.76	1623	29.64	1669	31.52		
8100	4111	874	7.91	1026	11.15	1161	14.58	1284	18.09	1396	21.74	1498	25.55	1546	27.48	1592	29.41	1637	31.36	1681	33.32		
8500	4314	900	8.80	1048	12.15	1182	15.76	1301	19.40	1412	23.11	1514	27.09	1562	29.10	1608	31.12	1653	33.14	1696	35.18		
8900	4517	928	9.77	1071	13.23	1203	17.00	1318	20.76	1429	24.66	1530	28.68	1578	30.77	1624	32.87	1669	34.98	1712	37.10		
9300	4720	956	10.84	1096	14.44	1224	18.32	1338	22.24	1446	26.27	1546	30.33	1594	32.50	1640	34.69	1684	36.88	1728	39.08		
9700	4923	985	11.99	1121	15.73	1245	19.70	1359	23.80	1463	27.94	1563	32.18	1610	34.29	1656	36.56	1700	38.83	1743	41.12		
10100	5126	1014	13.23	1147	17.10	1267	21.14	1379	25.43	1480	29.68	1580	34.10	1627	36.30	1672	38.50	1716	40.85	1759	43.21		
10500	5329	1043	14.56	1173	18.55	1289	22.66	1400	27.14	1501	31.57	1597	36.08	1644	38.38	1689	40.67	1733	42.96	1775	45.38		
10900	5532	1073	15.97	1199	20.09	1312	24.30	1422	28.93	1522	33.54	1614	38.14	1661	40.53	1706	42.91	1750	45.29	1792	47.67		
11300	5736	1102	17.48	1225	21.71	1337	26.11	1443	30.79	1543	35.59	1634	40.34	1678	42.75	1723	45.23	1767	47.70	1809	50.17		
11700	5939	1132	19.09	1252	23.43	1362	28.01	1465	32.74	1564	37.72	1654	42.65	1697	45.11	1741	47.62	1784	50.18	1826	52.74		
12100	6142	1162	20.81	1279	25.25	1387	30.01	1487	34.77	1585	39.94	1675	45.05	1718	47.60	1759	50.14	1801	52.74	1843	55.39		
12500	6345	1192	22.62	1306	27.19	1413	32.11	1509	36.92	1606	42.24	1696	47.55	1739	50.18	1780	52.81	1820	55.43	1860	58.12		
12900	6548	1223	24.54	1334	29.29	1439	34.31	1534	39.29	1628	44.64	1717	50.13	1760	52.86	1801	55.57	1840	58.28	1879	60.99		
13300	6751	1253	26.58	1363	31.50	1465	36.61	1559	41.78	1650	47.13	1739	52.81	1781	55.63	1822	58.44	1861	61.24	1900	64.03		
13700	6954	1284	28.74	1392	33.82	1491	39.02	1585	44.38	1671	49.71	1760	55.58	1802	58.49	1843	61.40	1882	64.29	1920	67.17		
Volume CFM	O.V. fpm	17" SP		18" SP		19" SP		20" SP		21" SP		22" SP		23" SP		24" SP		25" SP		26" SP			
		RPM	bhp	RPM	bhp	RPM	bhp	RPM	bhp	RPM	bhp	RPM	bhp	RPM	bhp	RPM	bhp	RPM	bhp	RPM	bhp	RPM	bhp
5300	2690	1665	23.57																				
5600	2842	1667	24.61	1714	26.22	1760	27.84																
5900	2994	1669	25.66	1716	27.32	1762	29.00	1807	30.70	1850	32.41												
6200	3147	1672	26.73	1719	28.43	1765	30.17	1809	31.92	1853	33.69	1895	35.47	1937	37.26								
6500	3299	1681	28.02	1724	29.67	1767	31.35	1811	33.16	1855	34.98	1897	36.82	1939	38.67	1980	40.53	2019	42.41				
6800	3451	1689	29.33	1732	31.04	1775	32.76	1816	34.49	1857	36.28	1900	38.17	1941	40.08	1982	42.00	2022	43.94	2061	45.89		
7100	3604	1697	30.67	1741	32.44	1783	34.22	1824	36.01	1864	37.81	1904	39.61	1944	41.50	1984	43.48	2024	45.48	2063	47.48		
7400	3756	1706	32.03	1749	33.86	1791	35.71	1832	37.56	1873	39.42	1912	41.28	1950	43.16	1988	45.04	2026	47.02	2065	49.08		
7700	3908	1714	33.41	1757	35.31	1800	37.22	1841	39.13	1881	41.05	1920	42.98	1959	44.92	1996	46.86	2033	48.81	2069	50.77		
8000	4060	1723	34.82	1766	36.78	1808	38.75	1849	40.73	1889	42.71	1929	44.70	1967	46.70	2004	48.71	2041	50.72	2077	52.74		
8300	4213	1731	36.25	1774	38.28	1817	40.31	1858	42.35	1898	44.40	1937	46.45	1975	48.51	2013	50.58	2050	52.66	2086	54.74		
8600	4365	1742	37.72	1783	39.80	1825	41.90	1866	44.00	1906	46.11	1945	48.23	1984	50.36	2021	52.49	2058	54.63	2094	56.77		
8900	4517	1754	39.23	1795	41.36	1834	43.51	1875	45.68	1915	47.85	1954	50.04	1992	52.22	2030	54.42	2066	56.62	2102	58.83		
9200	4670	1766	40.77	1806	42.96	1846	45.17	1885	47.39	1923	49.62	1962	51.87	2001	54.12	2038	56.38	2075	58.65	2111	60.92		
9500	4822	1777	42.34	1818	44.60	1858	46.87	1896	49.14	1934	51.43	1971	53.73	2009	56.05	2047	58.37	2083	60.70	2119	63.03		
9800	4974	1789	43.95	1830	46.27	1869	48.60	1908	50.93	1946	53.28	1982	55.64	2018	58.00	2055	60.39	2092	62.78	2128	65.18		
10100	5126	1801	45.59	1842	47.97	1881	50.36	1920	52.76	1957	55.17	1994	57.59	2030	60.01	2065	62.45	2100	64.89	2136	67.36		
10400	5279	1813	47.27	1854	49.71	1893	52.17	1932	54.63	1969	57.10	2006	59.57	2042	62.06	2077	64.55	2111	67.06	2145	69.57		
10700	5431	1825	48.98	1866	51.49	1905	54.00	1943	56.53	1981	59.06	2018	61.60	2054	64.14	2089	66.70	2123	69.26	2157	71.83		
11000	5583	1837	50.73	1878	53.30	1917	55.88	1955	58.47	1993	61.06	2029	63.66	2065	66.27	2100	68.89	2135	71.51	2169	74.14		
11300	5736	1850	52.63	1890	55.16	1929	57.80	1967	60.45	2005	63.10	2041	65.76	2077	68.43	2112	71.11	2147	73.80	2180	76.49		
11600	5888	1862	54.62	1902	57.15	1941	59.75	1979	62.46	2017	65.18	2053	67.91	2089	70.64	2124	73.38	2158	76.13	2192	78.88		
11900	6040	1875	56.66	1915	59.25	1954	61.84	1992	64.52	2029	67.30	2065	70.09	2101	72.89	2136	75.69	2170	78.50	2204	81.31		
12200	6192	1888	58.74	1928	61.40	1966	64.06	2004	66.72	2041	69.47	2077	72.32	2113	75.18	2148	78.04	2182	80.91	2216	83.79		
12500	6345	1901	60.86	1941	63.60	1979	66.33	2017	69.05	2053	71.78	2090	74.58	2125	77.51	2160	80.43	2194					

RBE-21

Wheel
Diameter - 36.5"

Outlet OD
Size - 20.3125" x 17.75"
Area - 2.44 ft² ID

Inlet OD
Size - 21"
Area - 2.41 ft²

Series 18 = light text face above Series 25
Series 25 = bold text face
Series 32 = *italic text face below Series 25*

Volume CFM	O.V. fpm	2" SP		4" SP		6" SP		8" SP		10" SP		12" SP		14" SP		16" SP		18" SP		20" SP	
		RPM	bhp	RPM	bhp	RPM	bhp	RPM	bhp	RPM	bhp	RPM	bhp	RPM	bhp	RPM	bhp	RPM	bhp	RPM	bhp
3000	1229	527	1.52	659	2.74	736	3.87	803	5.08	861	6.36	916	7.70	967	9.10	1016	10.57	1060	12.08	1101	13.63
3500	1434	537	1.80	715	3.45	789	4.71	854	6.04	911	7.43	966	8.89	1016	10.40	1063	11.97	1107	13.59	1149	15.25
4000	1639	552	2.10	740	4.06	844	5.69	907	7.14	963	8.66	1016	10.23	1065	11.86	1109	13.54	1155	15.27	1194	17.05
4500	1844	566	2.43	750	4.59	898	6.85	961	8.44	1016	10.08	1069	11.76	1116	13.51	1160	15.31	1204	17.15	1245	19.04
5000	2049	582	2.80	761	5.15	908	7.61	1018	9.90	1072	11.67	1122	13.49	1169	15.36	1212	17.28	1255	19.24	1295	21.25
5500	2254	598	3.22	775	5.74	919	8.41	1043	11.16	1126	13.51	1177	15.44	1221	17.45	1266	19.47	1306	21.57	1345	23.69
6000	2459	617	3.71	790	6.37	929	9.24	1054	12.20	1163	15.21	1231	17.64	1276	19.77	1318	21.93	1361	24.11	1400	26.36
6500	2663	636	4.24	805	7.05	943	10.12	1064	13.28	1174	16.50	1273	19.78	1334	22.30	1374	24.62	1413	26.96	1452	29.32
7000	2868	656	4.81	820	7.81	957	11.04	1074	14.39	1184	17.83	1283	21.32	1374	24.85	1431	27.58	1471	30.03	1507	32.56
7500	3073	676	5.45	836	8.64	972	12.01	1089	15.57	1194	19.20	1293	22.90	1385	26.64	1470	30.43	1527	33.42	1563	36.06
8000	3278	699	6.18	854	9.53	987	13.03	1103	16.79	1206	20.62	1304	24.52	1395	28.48	1480	32.47	1560	36.52	1620	39.92
8500	3483	722	6.99	873	10.51	1003	14.18	1118	18.07	1220	22.10	1314	26.20	1405	30.36	1490	34.57	1570	38.82	1645	43.11
9000	3688	746	7.87	892	11.56	1018	15.40	1133	19.40	1235	23.64	1328	27.93	1416	32.30	1501	36.72	1580	41.17	1656	45.67
9500	3893	770	8.83	912	12.68	1034	16.68	1148	20.84	1250	25.24	1342	29.74	1428	34.29	1511	38.92	1591	43.59	1666	48.29
10000	4098	794	9.87	932	13.86	1053	18.09	1164	22.42	1264	26.90	1357	31.61	1442	36.36	1522	41.17	1601	46.06	1676	50.97
10500	4303	819	11.00	952	15.12	1072	19.59	1179	24.07	1279	28.65	1372	33.54	1457	38.51	1536	43.52	1612	48.58	1687	53.71
11000	4508	845	12.24	973	16.52	1092	21.16	1195	25.79	1295	30.61	1386	35.55	1471	40.72	1551	45.93	1626	51.20	1697	56.51
11500	4713	871	13.61	997	18.06	1111	22.82	1214	27.68	1311	32.64	1402	37.66	1486	43.00	1566	48.43	1640	53.89	1711	59.40
12000	4918	898	15.08	1020	19.69	1131	24.57	1233	29.65	1327	34.75	1417	40.00	1501	45.36	1580	50.99	1655	56.66	1725	62.38
12500	5122	925	16.65	1044	21.43	1151	26.41	1253	31.72	1344	36.98	1433	42.42	1516	47.87	1595	53.64	1669	59.52	1740	65.44
13000	5327	952	18.34	1068	23.28	1171	28.33	1272	33.89	1363	39.37	1449	44.93	1532	50.62	1610	56.37	<i>1684</i>	<i>62.46</i>	<i>1754</i>	<i>68.58</i>
13500	5532	979	20.15	1092	25.24	1193	30.47	1292	36.15	1382	41.86	1465	47.53	1548	53.45	1625	59.34	<i>1699</i>	<i>65.48</i>	<i>1769</i>	<i>71.81</i>
14000	5737	1006	22.09	1116	27.31	1217	32.77	1312	38.52	1402	44.46	1484	50.36	1564	56.38	<i>1641</i>	<i>62.50</i>	<i>1714</i>	<i>68.60</i>	<i>1784</i>	<i>75.13</i>
14500	5942	1034	24.14	1141	29.50	1240	35.19	1332	40.99	1421	47.17	1503	53.29	1580	59.40	<i>1657</i>	<i>65.75</i>	<i>1729</i>	<i>72.08</i>	<i>1799</i>	<i>78.54</i>
15000	6147	1062	26.33	1166	31.81	1264	37.73	1352	43.56	1441	49.98	1522	56.34	<i>1598</i>	<i>62.64</i>	<i>1673</i>	<i>69.10</i>	<i>1745</i>	<i>75.66</i>	<i>1814</i>	<i>82.21</i>
15500	6352	1090	28.66	1192	34.33	1288	40.41	1374	46.38	1461	52.91	1542	59.50	<i>1617</i>	<i>66.03</i>	<i>1689</i>	<i>72.56</i>	<i>1761</i>	<i>79.35</i>	<i>1830</i>	<i>86.12</i>
16000	6557	1118	31.12	1218	37.02	1312	43.21	1397	49.42	1480	55.96	<i>1561</i>	<i>62.78</i>	<i>1636</i>	<i>69.54</i>	<i>1707</i>	<i>76.26</i>	<i>1777</i>	<i>83.15</i>	<i>1846</i>	<i>90.15</i>
16500	6762	1146	33.73	1244	39.85	1336	46.16	1420	52.59	1501	59.12	<i>1581</i>	<i>66.18</i>	<i>1656</i>	<i>73.17</i>	<i>1726</i>	<i>80.12</i>	<i>1793</i>	<i>87.05</i>	<i>1862</i>	<i>94.29</i>
17000	6967	1174	36.52	1271	42.82	1360	49.24	1444	55.90	<i>1521</i>	<i>62.41</i>	<i>1601</i>	<i>69.70</i>	<i>1675</i>	<i>76.93</i>	<i>1745</i>	<i>84.11</i>	<i>1812</i>	<i>91.25</i>	<i>1877</i>	<i>98.54</i>
Volume CFM	O.V. fpm	22" SP		24" SP		25" SP		26" SP		27" SP		28" SP		29" SP		30" SP		31" SP		32" SP	
		RPM	bhp	RPM	bhp	RPM	bhp	RPM	bhp	RPM	bhp	RPM	bhp	RPM	bhp	RPM	bhp	RPM	bhp	RPM	bhp
9000	3688	1727	50.21	1796	54.78	1815	56.44	1833	57.92	<i>1847</i>	<i>59.54</i>	<i>1861</i>	<i>61.15</i>	<i>1880</i>	<i>62.61</i>	<i>1895</i>	<i>64.20</i>	<i>1906</i>	<i>65.92</i>	<i>1921</i>	<i>67.50</i>
9300	3811	1734	51.90	1802	56.60	1836	58.96	1865	61.16	<i>1883</i>	<i>62.65</i>	<i>1897</i>	<i>64.29</i>	<i>1912</i>	<i>65.92</i>	<i>1927</i>	<i>67.55</i>	<i>1942</i>	<i>69.16</i>	<i>1954</i>	<i>70.92</i>
9600	3934	1740	53.61	1808	58.43	<i>1842</i>	<i>60.86</i>	<i>1874</i>	<i>63.29</i>	<i>1906</i>	<i>65.74</i>	<i>1932</i>	<i>67.61</i>	<i>1947</i>	<i>69.27</i>	<i>1958</i>	<i>71.10</i>	<i>1974</i>	<i>72.74</i>	<i>1989</i>	<i>74.37</i>
9900	4057	1746	55.35	<i>1815</i>	<i>60.29</i>	<i>1848</i>	<i>62.78</i>	<i>1880</i>	<i>65.28</i>	<i>1912</i>	<i>67.78</i>	<i>1944</i>	<i>70.29</i>	<i>1975</i>	<i>72.82</i>	<i>1993</i>	<i>74.70</i>	<i>2008</i>	<i>76.36</i>	<i>2024</i>	<i>78.02</i>
10200	4180	1752	57.10	<i>1821</i>	<i>62.17</i>	<i>1854</i>	<i>64.72</i>	<i>1887</i>	<i>67.28</i>	<i>1918</i>	<i>69.85</i>	<i>1950</i>	<i>72.42</i>	<i>1981</i>	<i>75.01</i>	<i>2011</i>	<i>77.60</i>	<i>2041</i>	<i>80.20</i>	<i>2057</i>	<i>81.87</i>
10500	4303	1758	58.88	<i>1827</i>	<i>64.08</i>	<i>1860</i>	<i>66.69</i>	<i>1893</i>	<i>69.31</i>	<i>1925</i>	<i>71.94</i>	<i>1956</i>	<i>74.58</i>	<i>1987</i>	<i>77.22</i>	<i>2017</i>	<i>79.88</i>	<i>2047</i>	<i>82.54</i>	<i>2076</i>	<i>85.21</i>
10800	4426	<i>1765</i>	<i>60.68</i>	<i>1833</i>	<i>66.01</i>	<i>1866</i>	<i>68.68</i>	<i>1899</i>	<i>71.36</i>	<i>1931</i>	<i>74.06</i>	<i>1962</i>	<i>76.76</i>	<i>1993</i>	<i>79.46</i>	<i>2023</i>	<i>82.18</i>	<i>2053</i>	<i>84.90</i>		
11100	4549	<i>1771</i>	<i>62.50</i>	<i>1839</i>	<i>67.96</i>	<i>1873</i>	<i>70.70</i>	<i>1905</i>	<i>73.44</i>	<i>1937</i>	<i>76.20</i>	<i>1968</i>	<i>78.96</i>	<i>1999</i>	<i>81.73</i>	<i>2029</i>	<i>84.51</i>	<i>2059</i>	<i>87.29</i>		
11400	4672	<i>1777</i>	<i>64.35</i>	<i>1846</i>	<i>69.93</i>	<i>1879</i>	<i>72.73</i>	<i>1911</i>	<i>75.54</i>	<i>1943</i>	<i>78.36</i>	<i>1975</i>	<i>81.19</i>	<i>2005</i>	<i>84.02</i>	<i>2036</i>	<i>86.86</i>	<i>2065</i>	<i>89.71</i>		
11700	4795	<i>1784</i>	<i>66.22</i>	<i>1852</i>	<i>71.93</i>	<i>1885</i>	<i>74.80</i>	<i>1918</i>	<i>77.67</i>	<i>1950</i>	<i>80.55</i>	<i>1981</i>	<i>83.44</i>	<i>2012</i>	<i>86.34</i>	<i>2042</i>	<i>89.24</i>	<i>2072</i>	<i>92.15</i>		
12000	4918	<i>1793</i>	<i>68.14</i>	<i>1858</i>	<i>73.95</i>	<i>1891</i>	<i>76.88</i>	<i>1924</i>	<i>79.82</i>	<i>1956</i>	<i>82.76</i>	<i>1987</i>	<i>85.72</i>	<i>2018</i>	<i>88.68</i>	<i>2048</i>	<i>91.64</i>	<i>2078</i>	<i>94.62</i>		
12300	5040	<i>1801</i>	<i>70.08</i>	<i>1866</i>	<i>76.01</i>	<i>1898</i>	<i>78.99</i>	<i>1930</i>	<i>81.99</i>	<i>1962</i>	<i>85.00</i>	<i>1993</i>	<i>88.02</i>	<i>2024</i>	<i>91.04</i>	<i>2054</i>	<i>94.07</i>				
12600	5163	<i>1810</i>	<i>72.06</i>	<i>1874</i>	<i>78.10</i>	<i>1905</i>	<i>81.14</i>	<i>1936</i>	<i>84.19</i>	<i>1968</i>	<i>87.27</i>	<i>2000</i>	<i>90.35</i>	<i>2030</i>	<i>93.44</i>	<i>2061</i>	<i>96.53</i>				
12900	5286	<i>1819</i>	<i>74.07</i>	<i>1883</i>	<i>80.23</i>	<i>1914</i>	<i>83.33</i>	<i>1945</i>	<i>86.44</i>	<i>1975</i>	<i>89.56</i>	<i>2006</i>	<i>92.70</i>	<i>2037</i>	<i>95.85</i>	<i>2067</i>	<i>99.01</i>				
13200	5409	<i>1827</i>	<i>76.11</i>	<i>1892</i>	<i>82.39</i>	<i>1923</i>	<i>85.55</i>	<i>1953</i>	<i>88.72</i>	<i>1983</i>	<i>91.90</i>	<i>2013</i>	<i>95.09</i>	<i>2043</i>	<i>98.30</i>	<i>2073</i>	<i>101.52</i>				
13500	5532	<i>1836</i>	<i>78.18</i>	<i>1900</i>	<i>84.59</i>	<i>1931</i>	<i>87.81</i>	<i>1962</i>	<i>91.04</i>	<i>1992</i>	<i>94.28</i>	<i>2021</i>	<i>97.52</i>	<i>2050</i>	<i>100.78</i>	<i>2079</i>	<i>104.06</i>				
13800	5655	<i>1845</i>	<i>80.29</i>	<i>1909</i>	<i>86.82</i>	<i>1940</i>	<i>90.10</i>	<i>1971</i>	<i>93.39</i>	<i>2001</i>	<i>96.69</i>	<i>2030</i>	<i>99.99</i>	<i>2059</i>	<i>103.31</i>						

DIRECT DRIVE RATINGS TABLES

CFM and bhp at Static Pressure Shown – Ratings at 70°F – .075" Density – Sea Level

Model	RPM	0" SP		2" SP		3" SP		4" SP		5" SP		6" SP		7" SP		8" SP	
		CFM	bhp	CFM	bhp	CFM	bhp	CFM	bhp	CFM	bhp	CFM	bhp	CFM	bhp	CFM	bhp
RBE-7	1750	830	0.5†	556	0.4†												
	<i>2850</i>	<i>1574</i>	<i>2.3</i>	<i>1444</i>	<i>2.2</i>	<i>1304</i>	<i>2.0†</i>	<i>1148</i>	<i>1.8†</i>	<i>966</i>	<i>1.6†</i>	<i>740</i>	<i>1.3†</i>				
	3500	1987	4.4	1881	4.2	1775	4.0	1661	3.8	1546	3.5	1414	3.3	1271	3.0	1111	2.7
RBE-9	<i>1450</i>	<i>1510</i>	<i>1.0†</i>	<i>1113</i>	<i>0.8†</i>												
	1750	1952	1.8	1663	1.6	1310	1.3†	790	0.9†								
	<i>2850</i>	<i>3454</i>	<i>8.3</i>	<i>3288</i>	<i>8.0</i>	<i>3121</i>	<i>7.6</i>	<i>2943</i>	<i>7.2</i>	<i>2763</i>	<i>6.8</i>	<i>2572</i>	<i>6.4</i>	<i>2352</i>	<i>6.0</i>	<i>2122</i>	<i>5.6</i>
RBE-11	3500	4310	15.5	4175	15.1	4040	14.7	3904	14.3	3765	13.8	3619	13.4	3472	12.9	3325	12.4
	1150	2142	1.3*	1517	0.9*												
	<i>1450</i>	<i>2946</i>	<i>2.7</i>	<i>2521</i>	<i>2.3</i>	<i>2026</i>	<i>1.9</i>	<i>1326</i>	<i>1.4†</i>								
RBE-13	1750	3706	4.9	3375	4.5	3011	4.0	2624	3.5	2114	3.0	1443	2.2				
	<i>2850</i>	<i>6360</i>	<i>22.0</i>	<i>6164</i>	<i>21.4</i>	<i>5965</i>	<i>20.7</i>	<i>5763</i>	<i>20.1</i>	<i>5560</i>	<i>19.4</i>	<i>5341</i>	<i>18.7</i>	<i>5118</i>	<i>18.0</i>	<i>4894</i>	<i>17.2</i>
	3500	7892	41.2	7732	40.4	7572	39.6	7412	38.8	7247	38.0	7082	37.1	6917	36.3	6750	35.5
RBE-15	1150	3797	3.1	3145	2.6	2321	2.0										
	<i>1450</i>	<i>5067</i>	<i>6.4</i>	<i>4588</i>	<i>5.8</i>	<i>4065</i>	<i>5.2</i>	<i>3501</i>	<i>4.5</i>	<i>2730</i>	<i>3.7</i>	<i>1463</i>	<i>2.5</i>				
	1750	6289	11.5	5902	10.9	5500	10.2	5069	9.4	4617	8.6	4118	7.8	3495	6.8	2788	5.8
RBE-17	<i>2850</i>	<i>10626</i>	<i>51.4</i>	<i>10393</i>	<i>50.3</i>	<i>10160</i>	<i>49.3</i>	<i>9927</i>	<i>48.2</i>	<i>9685</i>	<i>47.1</i>	<i>9444</i>	<i>45.9</i>	<i>9202</i>	<i>44.8</i>	<i>8945</i>	<i>43.6</i>
	3500	13146	95.8	12956	94.5	12766	93.1	12577	91.8	12387	90.5	12197	89.2	12000	87.8	11803	86.4
	1150	6083	6.6	5385	5.9	4563	5.1	3588	4.1	1423	2.1						
RBE-19	<i>1450</i>	<i>7972</i>	<i>13.6</i>	<i>7449</i>	<i>12.8</i>	<i>6902</i>	<i>12.0</i>	<i>6274</i>	<i>11.0</i>	<i>5588</i>	<i>9.9</i>	<i>4842</i>	<i>8.7</i>	<i>3958</i>	<i>7.3</i>		
	1750	9811	24.4	9395	23.4	8952	22.4	8507	21.4	8002	20.2	7482	19.0	6912	17.7	6318	16.3
	<i>2850</i>	<i>16400</i>	<i>107.7</i>	<i>16144</i>	<i>106.1</i>	<i>15889</i>	<i>104.6</i>	<i>15633</i>	<i>103.0</i>	<i>15377</i>	<i>101.5</i>	<i>15113</i>	<i>99.9</i>	<i>14840</i>	<i>98.3</i>	<i>14566</i>	<i>96.6</i>
RBE-21	1150	9081	12.6	8322	11.6	7467	10.5	6506	9.3	5414	7.9	3974	6.1				
	<i>1450</i>	<i>11786</i>	<i>25.9</i>	<i>11210</i>	<i>24.7</i>	<i>10602</i>	<i>23.5</i>	<i>9964</i>	<i>22.2</i>	<i>9250</i>	<i>20.7</i>	<i>8496</i>	<i>19.2</i>	<i>7682</i>	<i>17.5</i>	<i>6775</i>	<i>15.7</i>
	1750	14441	46.1	13968	44.7	13485	43.3	12981	41.8	12478	40.3	11923	38.7	11331	36.9	10739	35.1
RBE-13	1150	12789	21.7	11939	20.1	11093	18.7	10148	17.3	9102	15.7	7886	14.0	6336	11.7	4357	8.8
	<i>1450</i>	<i>16524</i>	<i>44.7</i>	<i>15848</i>	<i>42.6</i>	<i>15174</i>	<i>40.6</i>	<i>14503</i>	<i>38.9</i>	<i>13832</i>	<i>37.1</i>	<i>13069</i>	<i>35.3</i>	<i>12305</i>	<i>33.5</i>	<i>11428</i>	<i>31.4</i>
	1750					19079	74.6	18520	72.2	17963	70.1	17407	67.9	16851	65.8	16242	63.6
RBE-15	1150	17516	36.4	16573	34.1	15637	32.2	14683	30.3	13617	28.4	12473	26.3	11128	23.9	9571	21.1
	<i>1450</i>	<i>22526</i>	<i>74.6</i>	<i>21778</i>	<i>71.7</i>	<i>21031</i>	<i>68.9</i>	<i>20287</i>	<i>66.5</i>	<i>19545</i>	<i>64.1</i>	<i>18803</i>	<i>61.7</i>	<i>17972</i>	<i>59.2</i>	<i>17127</i>	<i>56.8</i>
	1750							25611	122.4	24993	119.2	24378	116.3	23763	113.4	23148	110.6

Model	RPM	9" SP		10" SP		11" SP		12" SP		13" SP		14" SP		15" SP		16" SP	
		CFM	bhp	CFM	bhp	CFM	bhp	CFM	bhp	CFM	bhp	CFM	bhp	CFM	bhp	CFM	bhp
RBE-7	3500	921	2.4	660	1.9												
RBE-9	<i>2850</i>	<i>1863</i>	<i>5.0</i>	<i>1538</i>	<i>4.4</i>	<i>1100</i>	<i>3.5</i>										
	3500	3167	11.9	2990	11.4	2807	10.9	2620	10.3	2409	9.6	2198	9.0	1916	8.1	1580	7.2
RBE-11	<i>2850</i>	<i>4657</i>	<i>16.4</i>	<i>4418</i>	<i>15.6</i>	<i>4172</i>	<i>14.7</i>	<i>3851</i>	<i>13.9</i>	<i>3530</i>	<i>13.0</i>	<i>3170</i>	<i>12.0</i>	<i>2801</i>	<i>11.0</i>	<i>2301</i>	<i>9.4</i>
	3500	6568	34.6	6386	33.7	6204	32.8	6022	31.9	5830	31.0	5636	30.0	5442	29.0	5247	28.0
RBE-13	<i>2850</i>	<i>8681</i>	<i>42.5</i>	<i>8416</i>	<i>41.3</i>	<i>8152</i>	<i>40.1</i>	<i>7875</i>	<i>38.8</i>	<i>7593</i>	<i>37.5</i>	<i>7311</i>	<i>36.1</i>	<i>7029</i>	<i>34.8</i>	<i>6673</i>	<i>33.3</i>
	3500	11607	85.0	11410	83.7	11213	82.3	10999	80.8	10783	79.4	10568	77.9	10353	76.4	10137	75.0
RBE-15	1750	5653	14.8	4921	13.2	3920	11.0										
	<i>2850</i>	<i>14293</i>	<i>95.0</i>	<i>14020</i>	<i>93.3</i>	<i>13746</i>	<i>91.7</i>	<i>13435</i>	<i>89.7</i>	<i>13115</i>	<i>87.7</i>	<i>12796</i>	<i>85.7</i>	<i>12476</i>	<i>83.8</i>	<i>12156</i>	<i>81.8</i>
RBE-17	<i>1450</i>	<i>5771</i>	<i>13.7</i>	<i>4158</i>	<i>10.6</i>												
	1750	10078	33.1	9404	31.2	8720	29.1	7888	26.7	7056	24.3	5907	21.2				
RBE-19	<i>1450</i>	<i>10463</i>	<i>29.2</i>	<i>9400</i>	<i>26.7</i>	<i>8154</i>	<i>23.8</i>	<i>6817</i>	<i>21.0</i>	<i>6040</i>	<i>12.7</i>						
	1750	15608	61.4	14975	59.2	14314	57.0	13514	54.3	12715	51.6	11915	48.9	10908	45.3	9865	42.0
RBE-21	1150	7794	18.1	6442	10.5												
	<i>1450</i>	<i>16281</i>	<i>54.3</i>	<i>15236</i>	<i>51.4</i>	<i>14169</i>	<i>48.4</i>	<i>13034</i>	<i>45.1</i>	<i>11681</i>	<i>41.1</i>	<i>10264</i>	<i>37.5</i>	<i>8573</i>	<i>32.8</i>		
1750	22528	107.7	21828	104.7	21127	101.7	20427	98.8	19727	95.8	18888	92.3	18004	88.7	17120	85.1	

Model	RPM	17" SP		18" SP		19" SP		20" SP		21" SP		22" SP		23" SP		24" SP	
		CFM	bhp	CFM	bhp	CFM	bhp	CFM	bhp	CFM	bhp	CFM	bhp	CFM	bhp	CFM	bhp
RBE-9	3500	788	4.8														
RBE-11	<i>2850</i>	<i>1186</i>	<i>6.6</i>														
	3500	5016	26.9	4755	25.8	4494	24.6	4228	23.5	3927	22.3	3627	21.1	3326	19.8	2885	17.7
RBE-13	<i>2850</i>	<i>6293</i>	<i>31.8</i>	<i>5914</i>	<i>30.2</i>	<i>5503</i>	<i>28.6</i>	<i>5069</i>	<i>27.0</i>	<i>4635</i>	<i>25.4</i>	<i>3936</i>	<i>22.6</i>	<i>3036</i>	<i>18.9</i>	<i>2316</i>	<i>16.3</i>
	3500	9922	73.5	9693	71.9	9463	70.3	9233	68.6	9004	67.0	8774	65.4	8544	63.8	8235	61.9
RBE-15	<i>2850</i>	<i>11830</i>	<i>79.7</i>	<i>11464</i>	<i>77.5</i>	<i>11098</i>	<i>75.3</i>	<i>10732</i>	<i>73.1</i>	<i>10366</i>	<i>70.8</i>	<i>10000</i>	<i>68.6</i>	<i>9597</i>	<i>66.2</i>	<i>9148</i>	<i>63.5</i>
RBE-19	1750	8804	38.7	7433	34.0												
RBE-21	1750	16236	81.5	15150	76.8	14023	72.0	12849	67.6	11675	63.2	10092	56.5	8691	35.1		

Shaded italic performance ratings are 50 cycle motors.

Note—All units cataloged were tested in accordance with AMCA standard 211

† Requires a 143T motor frame or larger even though bhp is available in 56 frame—see page 24

* Requires a 182T motor frame or larger even though bhp is available in 56 frame—see page 24.

MATERIAL CONVEYING

Bulky materials such as those shown in **Table 1**, can be conveyed pneumatically using a Cincinnati Fan RBE series exhauster. Follow the steps below to determine the RBE blower best suited for your application.

Example: Assume a requirement to move 2400 pounds per hour of barley through 200 feet of straight, horizontal, round duct. See notes 1 and 2.

- I Convert pounds per hour to pounds per minute: 2400 lb/hr ÷ 60 = 40 lb/min
- II Refer to **Table 1**. Find barley under material (column A) and read horizontally. Barley weighs 38 pounds per cubic foot (column B), requires 38 CFM of air per pound of material (column C) and a minimum of 5000 feet per minute conveying velocity (column D).
- III Determine the minimum cubic feet per minute (CFM) requirements:

CFM/lb of material	38 (from column C)	
x	lb/min	= 40 (from step I)
		1520 Total minimum CFM required @ 5000 ft/min conveying velocity (column D)
- IV Determine the system static pressure requirements from **Table 2**. Read across the 5000 ft/min velocity line to the 8" duct size column since this is the first (smallest) duct size column over 1520 CFM.
 We have selected 8" duct size with 1745 CFM (actual) to maintain a velocity of 5000 ft/min.
 The friction loss is 6.02" SP per 100' x 2 = 12.04" plus 3.5" SP suction pickup (column E, **Table 1**) = 15.54" total system static pressure for 200 feet of straight 8" duct.
- V Check fan rating tables for 1745 CFM at 15.54" SP at the lowest horsepower. We suggest a Model RBE-9 (on page 8). Interpolate 3499 RPM, 7.59 bhp.
- VI If material being conveyed will be going through the fan, the fan bhp can be significantly increased. The approximate increase is calculated as:

$$\text{Actual bhp} = \frac{\text{lb/minute of air} + \text{lb/minute of material}}{\text{lb/minute of air}} \times \text{fan bhp (7.59, step V)}$$

In this example : lb/minute of air = 1745 (actual CFM, step IV) x .075 lb/ft³ $\left(\frac{\text{Standard Density}}{\text{Density}}\right)$ = 130.9 note 3

lb/minute of material = 40

Therefore: $\frac{130.9 + 40}{130.9} = \frac{170.9}{130.9} = 1.31 \times 7.59 = 9.94$ actual bhp

Note

- 1 For each 10 feet of vertical duct, add 10 feet to your total straight duct length.
- 2 For equivalent losses through elbows, see chart on page 9 of our Engineering Data catalog.
- 3. Make sure you use correct density for location of fan.

CONVEYING CALCULATION

(1) Material Being Conveyed	(1) _____	
(2) Pounds Conveyed/Hour	(2) -----	
	+ 60	
(3) Pounds/Minute	----->	(3) _____
(4) Feet of Straight Horizontal Duct	(4) -----	see note 1
(5) Number of 90° Elbows	(5) +-----	see note 2
(6) Total Equivalent Feet of Duct	----->	(6) _____
(7) Material Weight, lb/ft ³ (col. B)		(7) _____
(8) CFM/Pound of Material (col. C)	(8) -----	
(9) Pounds/Minute (step 3)	(9) x-----	
(10) Total Min. CFM Required	----->	(10) _____
(11) Min. Conveying Velocity in FPM (col. D)		(11) _____
(12) Duct Size to Get Total CFM (step 10) @ Minimum Velocity (step 11) per table 2		(12) _____ Duct Size
(13) Actual CFM for Duct (step 12)		(13)* _____ Actual CFM*
(14) Friction Loss/100 ft	(14) -----	
(15) Total Equivalent Feet of Duct (step 6) (in 100s of feet)	(15) x-----	(in 100s of feet)
(16) Suction Pickup in inches of WC (col. E)	(16) +-----	
(17) Total System SP	----->	(17) _____ Total System SP
Fan Model to get #13 (actual CFM) and #17 (total SP) above _____		
Fan RPM _____		
Actual Fan bhp _____ Step VI		

*Must be equal or greater than step 10

Note: if conveying long, strigy material, specify paper trim type wheel

Table 1

A	B	C	D	E
Material	Approximate Weight lb/ft ³	Cubic ft of Air per lb of Material	Min Conveying Velocity fpm	Suction Pickup inches of W.C
Ashes, Coal Barley	30	42	4500	3.0
Beans, Soy	38	38	5000	3.5
Bran	47	36	5200	4.0
Cement, Portland	16	56	3500	2.0
Cinders, Coal	100	35	7000	5.0
Coal, Powdered	45	36	6000	4.0
Coffee, Beans	30	42	4000	3.0
Cork, Ground	42	36	3500	3.0
Corn, Cobs	14	59	3500	1.5
Corn, Meal	25	44	5000	2.5
Corn, Shelled	40	38	5500	3.5
Cotton, Dry	45	36	5500	3.5
Dust, Grinding	5	94	4000	2.0
Fruit, Dried	30	42	5000	3.0
Hair or Feathers, Dry	30	42	4000	3.0
Lime, Hydrated	5	94	3000	1.5
Malt, Dry	30	42	5000	3.0
Oats	35	39	4800	3.0
Paper, Shredded	26	44	4500	3.0
Plastic, Granulated	20	49	5000	3.0
Rags, Dry	35	42	5400	3.0
Salt, Coarse	30	42	4500	2.5
Sand, Dry	45	36	5500	4.0
Sawdust, Dry	105	35	7000	5.0
Wheat, Dry	13	63	3700	2.5
Wood Chips, Heavy	46	37	5800	4.0
Wood Shavings, Light	24	45	4500	3.0
Wool, Dry	9	73	3400	2.0
	5	94	5000	2.0

⚠ WARNING

When fans are used in material conveying applications, care must be used in their selection and location within each material conveying system. The material should be crushed, shredded or pulverized **Before** it passes through the fan to eliminate premature fan housing, wheel and/or bearing failure which could cause severe, personal injury and/or complete system failure. Please contact a Cincinnati Fan sales representative in your area for selection assistance.

Table 2 — Friction Loss (FL) in inches of water per 100 feet of straight, horizontal round duct

Velocity fpm	Pipe Diameter and Area sq ft																					
	4" .087		5" .136		6" .196		7" .267		8" .349		10" .545		12" .785		14" 1.069		16" 1.396		18" 1.797		20" 2.182	
	CFM	FL	CFM	FL	CFM	FL	CFM	FL	CFM	FL	CFM	FL	CFM	FL	CFM	FL	CFM	FL	CFM	FL	CFM	FL
2600							695	1.86	909	1.63	1420	1.30	2040	1.08	2780	0.93	3630	0.81	4600	0.72	5680	0.65
2800							748	2.15	977	1.89	1530	1.61	2200	1.26	2990	1.07	3910	0.93	4950	0.83	6110	0.75
3000							802	2.47	1048	2.08	1638	1.73	2355	1.44	3210	1.24	4180	1.08	5310	0.96	6550	0.86
3200							855	2.82	1118	2.47	1748	1.97	2510	1.64	3420	1.41	4470	1.23	5660	1.09	6980	0.96
3400							910	3.18	1188	2.78	1855	2.22	2670	1.85	3630	1.59	4750	1.43	6020	1.24	7430	1.11
3500							935	3.37	1222	2.95	1908	2.35	2747	1.96	3741	1.68	4886	1.49	6184	1.31	7637	1.18
3600							962	3.56	1258	3.12	1965	2.49	2825	2.08	3840	1.78	5025	1.56	6370	1.38	7860	1.25
3700							988	3.76	1291	3.30	2017	2.63	2904	2.20	3955	1.88	5165	1.65	6537	1.46	8073	1.32
3800							1018	3.97	1327	3.48	2070	2.78	2985	2.32	4060	1.99	5300	1.74	6720	1.54	8300	1.39
4000	See PB engineering data catalog						1070	4.40	1396	3.85	2184	3.08	3142	2.57	4280	2.20	5580	1.92	7080	1.71	8740	1.54
4200							1125	4.85	1467	4.25	2290	3.49	3300	2.83	4400	2.43	5870	2.12	7430	1.88	9170	1.70
4400							1176	5.30	1536	4.63	2400	3.71	3456	3.11	4700	2.66	6140	2.33	7780	2.06	9620	1.85
4500							1202	5.55	1571	4.86	2453	3.89	3532	3.25	4810	2.78	6282	2.44	7951	2.16	9819	1.94
4800							1284	6.32	1676	5.55	2620	4.43	3770	3.69	5130	3.17	6700	2.77	8480	2.46	10460	2.22
5000							1335	6.88	1745	6.02	2725	4.82	3925	4.01	5345	3.44	6980	3.01	8835	2.67	10910	2.41
5200							1390	7.44	1818	6.50	2840	5.21	4080	4.34	5560	3.72	7260	3.25	9200	2.89	11360	2.61
5500							1469	8.31	1920	7.28	2997	5.81	4317	4.85	5879	4.17	7678	3.64	9718	3.22	12001	2.91
5600							1496	8.61	1954	7.55	3060	6.03	4400	5.05	5980	4.32	7820	3.78	9900	3.35	12220	3.02
5800							1549	9.25	2024	8.10	3161	6.47	4553	5.40	6200	4.63	8096	4.05	10248	3.60	12655	3.24
6000							1604	9.89	2096	8.66	3276	6.92	4710	5.76	6420	4.95	8360	4.33	10620	3.85	13100	3.46
7000							1873	13.50	2445	11.80	3820	9.41	5500	7.82	7470	6.74	9770	5.90	12380	5.24	15300	4.72

Maximum Shaft and Bearing Speed — Belt Drive
Maximum Wheel Speed and WR² (lb-ft²) — Direct Drive

Model	Maximum Fanshaft and Bearing Speed				Maximum Wheel Speed					WR ² (lb-ft ²)			
					Steel note 1			Aluminum note 2		Steel		Aluminum	
	Open	Shrouded		Open	Shrouded	Open	Shrouded	Series					
	Series				Series				Series		Series		Series
18	25	32	40	18-25	18-25	32-40	18	25-40	18-25	18-25	32-40	All	
RBE-7	4680	4994			4994	4994		4100	4994	1.9	2.0		1.3
RBE-9	3630	4383			4383	4383		3600	4383	4.7	5.3		3.3
RBE-11	3000	3610	4000		3610	3610	4000 note 3	3000	4000 note 3	12.8	13.7	15.7	8.3
RBE-13	2535	3123	3400	3800	3123	3123	3800	2200	3800	24.2	26.3	30.2	16.0
RBE-15	2186	2699	3000	3500	2699	2699	3500	1900	3500	42.8	45.8	52.8	28.9
RBE-17	1935	2367	2610	3090	2367	2367	3090	1600	3090	70.4	75.1	86.9	45.5
RBE-19	1733	2098	2360	2610	2098	2098	2610	1400	2610	108.1	115.0	133.3	69.4
RBE-21	1530	1900	2080		1900	1900	2080 note 3		2080 note 3	254.0	180.0	180.0	117.0 note 4

- 1 For steel wheels up to 175°F (80°C). See page 5 for RPM reduction factors above 175°F
- 2 For aluminum wheels up to 200°F (93°C). Aluminum wheels match the highest design speeds shown for the same size steel wheel.
- 3 For Series 32 only. Not available in Series 40.
- 4 Shrouded type only

Common Blower Housing Dimensions notes 1-2-3

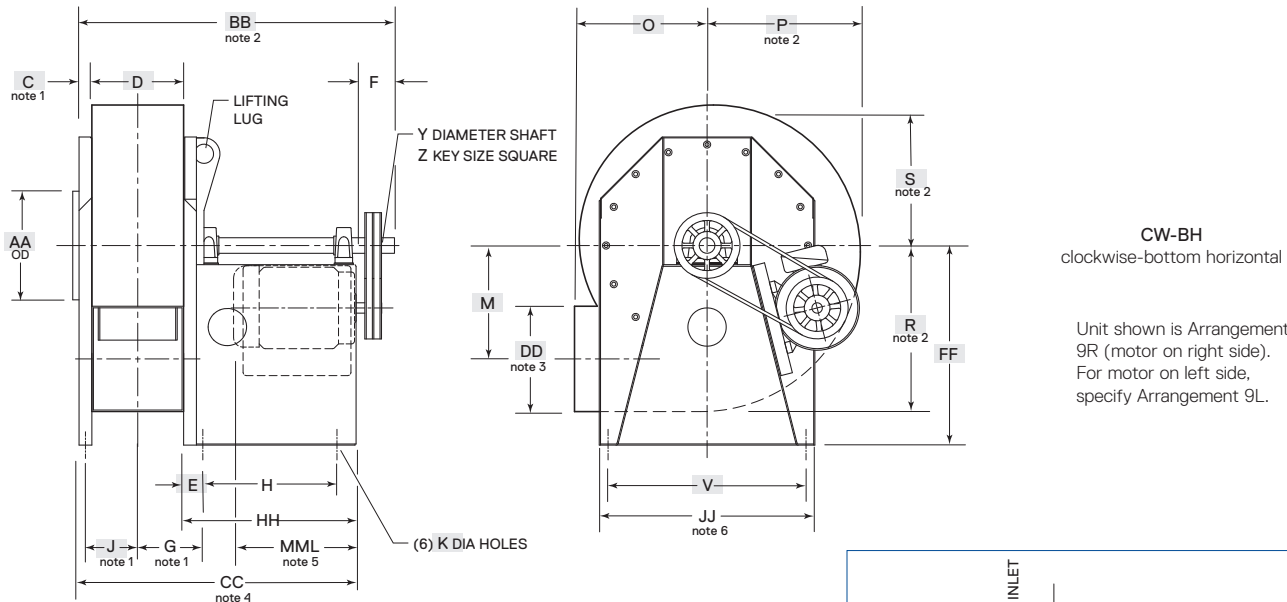
Model	C note 1	D	E	J note 1	K	M	O	P note 2	R note 2	S note 2	V	AA	DD note 3	FF
RBE-7	3"	6 1/8"	3"	4 1/16"	9/16"	7 1/4"	9"	9 7/8"	10 3/8"	9 1/8"	14"	7"	6 3/4"	15 1/2"
RBE-9	3"	7 5/8"	3"	4 13/16"	9/16"	9 3/8"	11 3/8"	12 3/4"	13 3/4"	11 3/4"	17 1/4"	9"	8 3/4"	18 1/8"
RBE-11	3"	9 3/8"	3"	5 11/16"	9/16"	11 3/8"	13 3/4"	15 3/16"	16 3/4"	14 1/4"	21 1/2"	11"	10 3/4"	22 3/4"
RBE-13	3"	11"	3"	6 1/2"	9/16"	13 1/2"	16 1/8"	16 11/16"	19 7/8"	16 7/8"	26 1/8"	13"	12 3/4"	26 1/4"
RBE-15	3"	12 3/4"	3"	7 3/8"	9/16"	15 3/4"	18 3/8"	18 7/16"	23"	19 1/2"	28 1/4"	15"	14 1/2"	28 1/2"
RBE-17	3"	14 3/4"	3"	8 3/16"	9/16"	17 3/4"	20 3/4"	20 1/4"	26"	22"	31"	17"	16 1/2"	31 1/4"
RBE-19	4"	15 7/8"	3"	8 15/16"	9/16"	19 3/4"	24 9/16"	22 1/2"	29 15/16"	24 9/16"	34 1/4"	19"	18 3/8"	34 1/2"
RBE-21	5"	17 3/4"	3 1/2"	10 7/8"	3/4"	21 13/16"	27 3/16"	29 9/16"	326"	27 3/16"	28"	21"	20 5/16"	38 3/4"

- 1 Add 1/8" for AMCA C Construction fans and/or Down Blast discharge position.
- 2 Add 1/16" for Series 32 and 40 housings.
- 3 Add 1/8" for Series 32 and 40 housing.

Approximate Shipping Weight Less Motor, Drive and Options

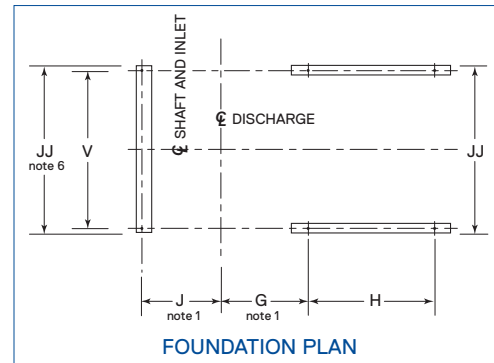
Model	Arrangement 1		Arrangement 4			Arrangement 8		Arrangement 9				Arrangement 9CB				Arrangement 10	
	Series		Small Base	Large Base	Extra Large Base	Series		Series				Series				Series	
	18-25	32-40				18-25	32-40	16	25	32	40	16	25	32	40	18	25
RBE-7	150	155	115			170	175	150	155			245	250			220	225
RBE-9	215	225	175	190		245	255	215	225			330	340			295	305
RBE-11	325	335	255	290	295	355	365	325	335	385		470	480	480		415	425
RBE-13	450	460	355	410	415	490	500	450	460	470	500	620	630	640	660	630	640
RBE-15	555	565	475	525	540	625	635	620	635	760	800	735	745	810	840	755	765
RBE-17	670	680	580	650		760	770	680	700	790	830	880	890	955	965	890	900
RBE-19	850	855	690	770	790	905	945	910	950	1090	1100	1085	1100	1130	1135	1035	1045
RBE-21	1370	1435	1080	1110	1130			1210	1320	1410		1670	1742	1745			

ARRANGEMENT 1 AND 9 — BELT DRIVE specify 9R or 9L



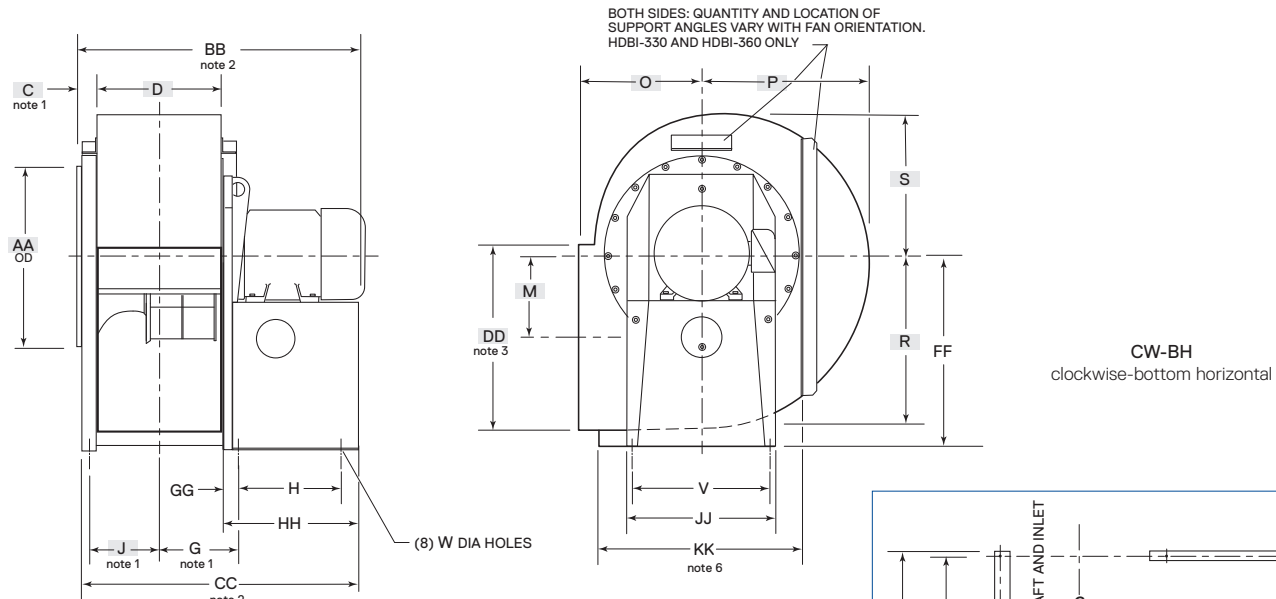
- 1 Add 1/8" for AMCA "C" Construction and/or Down Blast or Bottom Angular Down discharge positions.
- 2 Add 1/16" for Series 32 and 40 housing.
- 3 Add 1/8" for Series 32 and 40 housing.
- 4 Add 1/4" for AMCA "C" Construction and/or Down Blast or Bottom Angular Down discharge position.
- 5 MML is maximum motor length on customer supplied motor. Motor manufacturer's C dimension cannot exceed MML without a special base.
- 6 RBE-21: Inlet side plate is wider than base JJ dimension.
- 7 For common boxed blower housing dimensions see page 22.

Note: Housings are reversible and rotatable in 45° increments but wheels are not reversible.



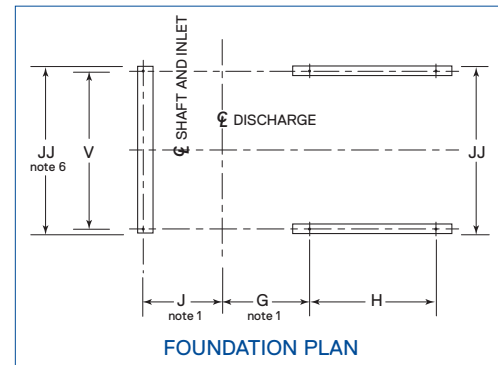
Model	Series	Motor Frame	F	G note 1	H	Y	Z	BB note 4	CC note 4	HH	JJ note 6	MML note 5
RBE-7	18	56-215T	4"	6 1/16"	12 3/4"	1 7/16"	3/8"	31 7/8"	26 7/8"	18 3/4"	16"	19 3/8"
	25	143T-215T	4"	6 1/16"	12 3/4"	1 11/16"	3/8"	31 7/8"	26 7/8"	18 3/4"	16"	19 3/8"
RBE-9	18	56-215T	4"	6 3/16"	17"	1 7/16"	3/8"	37 5/8"	32 5/8"	23"	19 1/4"	24 1/4"
	25	182T-256T	4"	6 13/16"	17"	1 11/16"	3/8"	37 5/8"	32 5/8"	23"	19 1/4"	24 1/4"
RBE-11	18	145T-256T	4"	7 11/16"	17 11/16"	1 11/16"	3/8"	40 7/8"	35 7/8"	24 1/2"	23 1/2"	26 3/8"
	25	182T-286T	4"	7 11/16"	17 11/16"	1 15/16"	1/2"	40 7/8"	35 7/8"	24 1/2"	23 1/2"	26 3/8"
	32	213T-286T	4"	7 11/16"	17 11/16"	1 15/16"	1/2"	40 7/8"	35 7/8"	24 1/2"	23 1/2"	26 3/8"
RBE-13	18	145T-286T	5"	8 1/2"	21"	1 11/16"	3/8"	46"	40"	27"	28 1/8"	29 1/2"
	25	182T-286T	5"	8 1/2"	21"	1 15/16"	1/2"	46"	40"	27"	28 1/8"	29 1/2"
	32	213T-324T	5"	8 1/2"	21"	1 15/16"	1/2"	46"	40"	27"	28 1/8"	29 1/2"
	40	254T-326T	5"	8 1/2"	21"	2 3/16"	1/2"	46"	40"	27"	28 1/8"	29 1/2"
RBE-15	18	145T-286T	6"	9 3/8"	21"	1 15/16"	1/2"	48 3/4"	41 3/4"	27"	30 3/4"	29 1/2"
	25	213T-324T	6"	9 3/8"	21"	2 3/16"	1/2"	48 3/4"	41 3/4"	27"	30 3/4"	29 1/2"
	32	254T-364T	6"	9 3/8"	24 3/4"	2 3/16"	1/2"	52 1/2"	45 1/2"	30 3/4"	30 3/4"	31 1/2"
	40	254T-364T	6"	9 3/8"	24 3/4"	2 7/16"	5/8"	52 1/2"	45 1/2"	30 3/4"	30 3/4"	31 1/2"
RBE-17	18	182T-326T	6"	10 3/16"	21"	2 3/16"	1/2"	50 3/8"	43 3/8"	27"	33 3/4"	29 1/2"
	25	254T-326T	6"	10 3/16"	21"	2 7/16"	5/8"	50 3/8"	43 3/8"	27"	33 3/4"	29 1/2"
	32	254T-364T	6"	10 3/16"	24 3/4"	2 7/16"	5/8"	54 1/8"	47 1/8"	30 3/4"	33 3/4"	31 1/2"
	40	254T-364T	6"	10 3/16"	24 3/4"	2 11/16"	5/8"	54 1/8"	47 1/8"	30 3/4"	33 3/4"	31 1/2"
RBE-19	18	182T-326T	6"	10 15/16"	24 3/4"	2 3/16"	1/2"	56 5/8"	48 5/8"	30 3/4"	37 1/4"	33 1/4"
	25	254T-364T	6"	10 15/16"	24 3/4"	2 7/16"	5/8"	56 5/8"	48 5/8"	30 3/4"	37 1/4"	33 1/4"
	32	254T-364T	6"	10 15/16"	24 3/4"	2 11/16"	5/8"	56 5/8"	48 5/8"	30 3/4"	37 1/4"	33 1/4"
	40	254T-365T	6"	10 15/16"	24 3/4"	2 15/16"	3/4"	56 5/8"	48 5/8"	30 3/4"	37 1/4"	33 1/4"
RBE-21	18	182T-326T	6"	12 3/8"	25"	2 7/16"	5/8"	60 3/4"	52 3/4"	30"	30 3/4"	32 3/4"
	25	254T-364T	6"	12 3/8"	25"	2 11/16"	5/8"	60 3/4"	52 3/4"	30"	33 3/4"	32 3/4"
	32	254T-365T	6"	12 3/8"	25"	2 11/16"	5/8"	60 3/4"	52 3/4"	30"	37 1/4"	32 3/4"

ARRANGEMENT 4 — DIRECT DRIVE



- 1 Add 1/8" for AMCA C Construction fans and/or Down Blast discharge position.
- 2 Add 1/16" for Series 32 and 40 housing.
- 3 Add 1/8" for Series 32 and 40 housing.
- 4 Add 1/4" for AMCA "C" Construction and/or Down Blast or Bottom Angular Down discharge positions.
- 5 For common boxed blower housing dimensions see page 22.
- 6 RBE-21: Inlet side plate is wider than base "JJ" dimension, 41 3/4" versus 30".

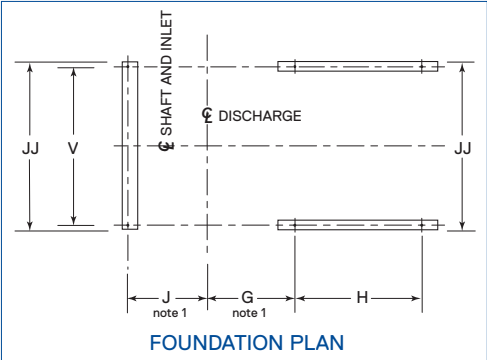
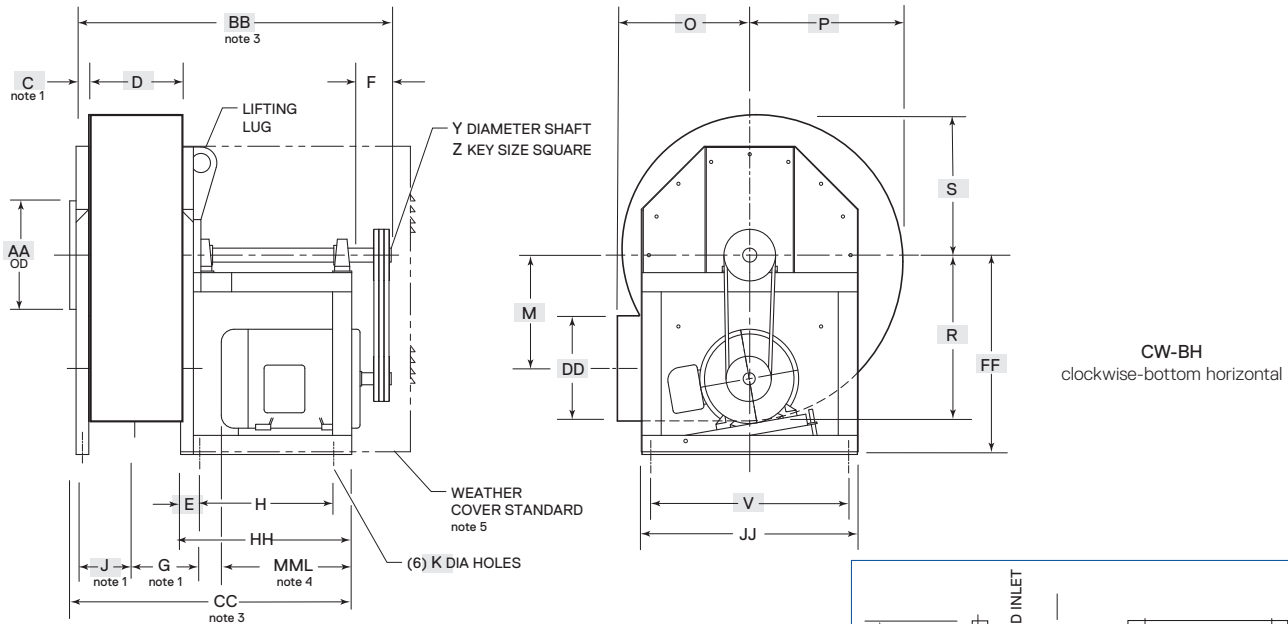
Note: Housings are reversible and rotatable in 45° increments. Type O wheels only are non-reversible..



Model	Motor Frame	G note 1	H	BB note 4	CC note 4	HH	JJ note 6
RBE-7	143T-184T	6 1/16"	5 1/2"	20 5/8"	19 5/8"	11 1/2"	16"
RBE-9	143T-215T	6 13/16"	7 5/8"	24 1/4"	23 1/4"	13 5/8"	19 1/4"
	254T-256T	6 13/16"	16"	32 5/8"	31 5/8"	22"	19 1/4"
RBE-11	182T-215T	7 11/16"	8 3/8"	26 3/4"	25 3/4"	14 3/8"	23 1/2"
	254T-286T	7 11/16"	18 1/2"	36 7/8"	35 7/8"	24 1/2"	23 1/2"
	324T	7 11/16"	21"	39 3/8"	38 3/8"	27"	23 1/2"
RBE-13	213T-256T	8 1/2"	11 1/2"	31 1/2"	30 1/2"	17 1/2"	28 1/8"
	284T-326T	8 1/2"	21"	41"	40"	27"	28 1/8"
	364T-365T	8 1/2"	24 3/4"	44 3/4"	43 3/4"	30 3/4"	28 1/8"
RBE-15	213T-256T	9 3/8"	11 1/2"	33 1/4"	32 1/4"	17 1/2"	30 3/4"
	284T-326T	9 3/8"	21"	42 3/4"	41 3/4"	27"	30 3/4"
	364T-365T	9 3/8"	24 3/4"	46 1/2"	45 1/2"	30 3/4"	30 3/4"
RBE-17	213T-256T	10 3/16"	11 1/2"	34 7/8"	33 7/8"	17 1/2"	33 3/4"
	284T-326T	10 3/16"	21"	44 3/8"	43 3/8"	27"	33 3/4"
RBE-19	213T-256T	10 15/16"	11 1/2"	37 3/8"	35 3/8"	17 1/2"	37 1/4"
	284T-326T	10 15/16"	21"	46 7/8"	44 7/8"	27"	37 1/4"
	364T-365T	10 15/16"	24 3/4"	50 5/8"	48 5/8"	30 3/4"	37 1/4"
RBE-21	284T-326T	12 3/8"	20"	49 3/4"	47 3/4"	27"	30 3/4"
	364T-405T	12 3/8"	25"	54 3/4"	52 3/4"	32"	30"
	444T	12 3/8"	29"	58 3/4"	56 3/4"	36"	30"

CAUTION All fans and blowers shown have rotating parts and pinch points. Severe personal injury can result if operated without guards. Stay away from rotating equipment unless it is disconnected from its power source.

ARRANGEMENT 10 — BELT DRIVE



- 1 Add 1/8" for AMCA "C" Construction and/or Down Blast or Bottom Angular Down discharge positions.
- 2 For common boxed blower housing dimensions see page 22.
- 3 Add 1/4" for AMCA C Construction and/or Down Blast or Bottom Angular Down discharge positions.
- 4 MML is maximum motor length on customer supplied motor. Motor manufacturer's C dimension cannot exceed MML without a special base.
- 5 Standard weather cover extends 3" past F dimension.

Note: Housings are reversible and rotatable in 45° increments. Type O wheels only are non-reversible.

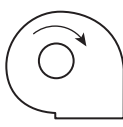
Model	Motor Frame	F	G note 1	H	Y		Z		BB note 3	CC note 3	HH	JJ	MML note 4
					Series 18	Series 25	Series 18	Series 25					
RBE-7	56-184T	4 1/8"	6 1/16"	12 3/4"	1 7/16"	1 11/16"	3/8"	3/8"	31 7/8"	26 3/4"	18 5/8"	16"	18 7/8"
RBE-9	56-215T	4 1/8"	6 13/16"	17"	1 7/16"	1 11/16"	3/8"	3/8"	37 5/8"	32 1/2"	22 7/8"	19 1/4"	24 1/4"
RBE-11	145T-256T	4 1/8"	7 11/16"	18 1/2"	1 11/16"	1 15/16"	3/8"	1/2"	40 7/8"	35 3/4"	24 3/8"	23 1/2"	26 5/8"
RBE-13	145T-286T	5 1/8"	8 1/2"	21"	1 11/16"	1 15/16"	3/8"	1/2"	46"	39 7/8"	26 7/8"	28 1/8"	29 3/4"
RBE-15	145T-324T	6 3/16"	9 3/8"	21"	1 15/16"	2 3/16"	1/2"	1/2"	48 3/4"	41 9/16"	26 13/16"	30 3/4"	29 5/8"
RBE-17	182T-324T	6 3/16"	10 3/16"	21"	2 3/16"	2 7/16"	1/2"	5/8"	50 3/8"	43 3/16"	26 13/16"	33 3/4"	29 5/8"
RBE-19	182T-324T	6 3/16"	10 15/16"	24 3/4"	2 3/16"	2 7/16"	1/2"	5/8"	56 5/8"	48 7/16"	30 9/16"	37 1/4"	33 3/8"

Sixteen Discharge Positions Available. 45° Discharge Positions Not shown*

Discharges shown are determined by viewing fan from motor or drive side



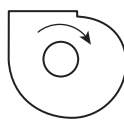
CW-TH
Clockwise Top
Horizontal
Discharge



CW-DB*
Clockwise
Down Blast
Discharge



CW-BH
Clockwise
Bottom
Horizontal
Discharge



CW-UB
Clockwise
Up Blast
Discharge



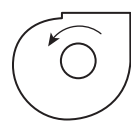
CCW-TH
Counter
Clockwise Top
Horizontal
Discharge



CW-DB*
Counter
Clockwise
Down Blast
Discharge



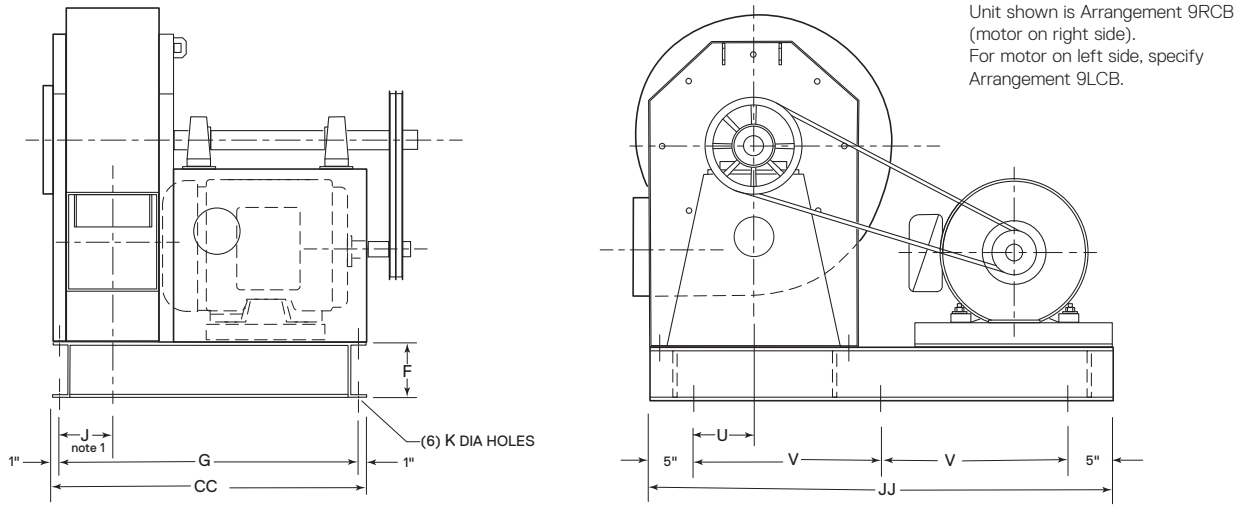
CW-BH
Counter
Clockwise
Bottom Horizontal
Discharge



CW-UB
Counter Clockwise
Up Blast
Discharge

Not available on any models with discharge flange option without a discharge extension, or any arrangement 9CB units. See () on page 27.

ARRANGEMENT 9RCB OR 9LCB CHANNEL BASE — BELT DRIVE



Model	Series	Motor Frame	F	G	J	K	U	V	CC	JJ
RBE-7	18-25	182T-215T	4"	24 7/8"	4 1/16"	9/16"	3"	13 15/16"	26 7/8"	36 15/16"
RBE-9	18	213T-215T	4"	30 5/8"	4 13/16"	9/16"	4 5/8"	17 3/4"	32 5/8"	45 1/2"
	25	213T-284T	4"	30 5/8"	4 13/16"	9/16"	4 5/8"	17 3/4"	32 5/8"	45 1/2"
RBE-11	18	213T-256T	6"	30 7/8"	5 1/16"	9/16"	6 3/4"	21 3/16"	35 7/8"	52 3/8"
	25	213T-286T	6"	30 7/8"	5 1/16"	9/16"	6 3/4"	21 3/16"	35 7/8"	52 3/8"
	32	256T-286T	6"	30 7/8"	5 1/16"	9/16"	6 3/4"	21 3/16"	35 7/8"	52 3/8"
RBE-13	18	213T-286T	6"	38"	6 1/2"	9/16"	9 1/16"	26 11/16"	40"	63 3/8"
	25	254T-286T	6"	38"	6 1/2"	9/16"	9 1/16"	26 11/16"	40"	63 3/8"
	32	254T-324T	6"	38"	6 1/2"	9/16"	9 1/16"	26 11/16"	40"	63 3/8"
	40	254T-365T	6"	38"	6 1/2"	9/16"	9 1/16"	26 11/16"	40"	63 3/8"
RBE-15	18	254T-286T	6"	39 3/4"	7 3/8"	9/16"	10 3/8"	26 5/16"	41 3/4"	62 5/8"
	25	254T-324T	6"	39 3/4"	7 3/8"	9/16"	10 3/8"	26 5/16"	41 3/4"	62 5/8"
	32	254T-365T	6"	46"	7 3/8"	9/16"	10 3/8"	26 5/16"	48"	62 5/8"
	40	284T-405T	6"	46"	7 3/8"	9/16"	10 3/8"	26 5/16"	48"	62 5/8"
RBE-17	18-25	254T-326T	6"	43 7/8"	8 3/16"	9/16"	11 7/8"	27 13/16"	45 7/8"	65 5/8"
	32	254T-405T	6"	47 1/8"	8 3/16"	9/16"	11 7/8"	27 13/16"	49 5/8"	65 5/8"
	40	284T-444T	6"	47 1/8"	8 3/16"	9/16"	11 7/8"	27 13/16"	49 5/8"	65 5/8"
RBE-19	18	254T-326T	6"	49 1/8"	8 15/16"	9/16"	13 5/8"	31 1/4"	51 1/8"	72 1/2"
	25	254T-364T	6"	49 1/8"	8 15/16"	9/16"	13 5/8"	31 1/4"	51 1/8"	72 1/2"
	32	284T-405T	6"	49 1/8"	8 15/16"	9/16"	13 5/8"	31 1/4"	51 1/8"	72 1/2"
	40	324T-444T	6"	49 1/8"	8 15/16"	9/16"	13 5/8"	31 1/4"	51 1/8"	72 1/2"
RBE-21	18	254T-326T	6"	53 1/4"	10 7/8"	3/4"	10"	32 11/16"	55 1/4"	75 3/8"
	25	254T-364T	6"	53 1/4"	10 7/8"	3/4"	10"	32 11/16"	55 1/4"	75 3/8"
	32	284T-444T	6"	53 1/4"	10 7/8"	3/4"	10"	32 11/16"	55 1/4"	75 3/8"

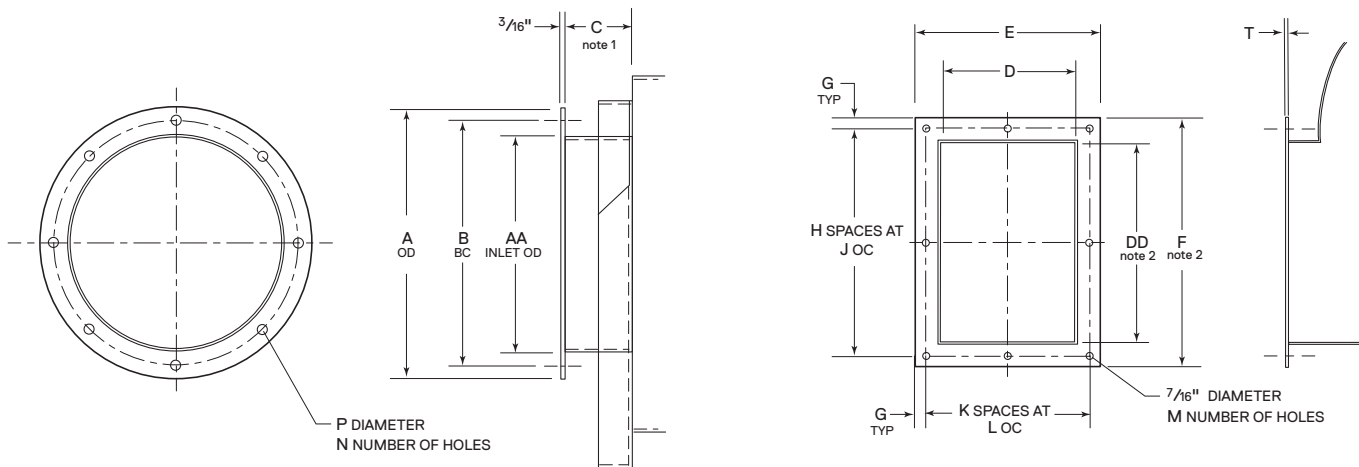
Standard Construction Gauges

Model	Housing Scroll and Side Plate		Inlet Side Plate	Inlet or Discharge Flange	Bearing and Motor Base	Wheel note 4					
	18-25	32-40				Shroud		Blades		Back Plate	Reinforcement Plate
						18-25	32-40	18-25	32-40		
RBE-7	10	7	10	10	10	7 note 5	10	7 note 5	7		
RBE-9	10	7	10	10	10	7 note 5	10	7 note 5	7		
RBE-11	10	7	10	10	10	7 note 5	10	7 note 5	7	7	
RBE-13	10	7	10	10	10	7	10	7	7	7	
RBE-15	10	7	7	10	10	7	7	10	7	1/4"	
RBE-17	10	7	7	10	7	7	10	7	1/4"		
RBE-19	10	7	7	10	7	7	10	7	1/4"		
RBE-21	note 3	7	7	7	7 and 1/4"	1/4" note 2	1/4" note 2	1/4" note 2	1/4" note 2	1/4"	

1 Add 1/8" for AMCA C Construction fans and/or Down Blast discharge position.
 2 RBE-21 wheel is Series 18, 25 and 32. Not available in Series 40.
 3 RBE-21 scroll is 10 gauge welded-on side plates are 7 gauge.
 4 Wheel gauges are for shrouded steel wheels.

5 While these fans are not available in some series for belt drive and/or direct drive, the wheels (only) can be supplied in higher series speeds as an option, and notes 17 and 23 on page 5 of the RBE price sheet. Note: If a higher series wheel is ordered, it cannot exceed the maximum wheel speed for its series as shown on page 22.

INLET AND OUTLET FLANGES



Outlet flange is not available on:

- 1 RBE-7 with Top Angular Down discharge
- 2 Any Arrangement 9CB with Down Blast discharge
- 3 Any model with Down Blast or Bottom Angular Down discharge without adding a blower discharge extension

Model	A	B	C note 1	D	E	F note 2	G	H	J	K	L	M	N	T	AA	DD note 2
RBE-7	9 3/8"	8 1/2"	3"	6 7/8"	10 1/8"	10 3/8"	1"	2	4 3/8"	2	4 1/16"	8	8	1/8"	7"	6 3/4"
RBE-9	11 5/8"	10 5/8"	3"	7 5/8"	11 5/8"	12 3/4"	1"	2	5 3/8"	2	4 13/16"	8	8	1/8"	9"	8 3/4"
RBE-11	13 7/8"	12 3/4"	3"	9 3/8"	13 3/8"	14 7/8"	1 1/16"	3	4 1/4"	3	3 3/4"	12	8	1/8"	11"	10 3/4"
RBE-13	16 1/8"	15"	3"	11"	15"	16 11/16"	1 1/32"	3	4 7/8"	3	4 5/16"	12	8	1/8"	13"	12 3/4"
RBE-15	18 1/8"	17"	3"	12 3/4"	16 3/4"	18 5/8"	1 1/16"	3	4 1/8"	3	4 7/8"	14	8	1/8"	15"	14 1/2"
RBE-17	20 1/8"	19"	3"	14 3/8"	18 3/8"	20 5/8"	1 1/16"	4	4 5/8"	4	4 1/16"	16	8	1/8"	17"	16 1/2"
RBE-19	22 1/8"	21"	4"	15 7/8"	19 7/8"	22 3/8"	1 1/16"	4	5 1/16"	4	4 1/8"	16	8	1/8"	19"	18 3/8"
RBE-21	24 1/2"	22 1/2"	5"	17 3/4"	21 3/4"	24 11/32"	1"	4	4 15/32"	4	4 15/32"	16	12	3/16"	21"	20 5/16"

1 Add 1/8" for AMCA C Construction and/or Down Blast or Bottom Angular Down discharge position.

2 Add 1/8" for Series 32 and 40.

Note: Dimensions C, D, AA and DD are ± 1/8". Flanges will be drilled unless otherwise specified.

