

Rugged, Heavy-Duty Stamped Steel Housing

The Model SPB pressure blower with standard aluminum wheels and the addition of an aluminum rubbing ring is AMCA Type B spark resistant. Round inlet and discharge make connections to pipe or duct easy and do not require special square-to-round transitions. The Model SPB pressure blower is made of 14-gauge steel with a baked enamel, powder-coated finish to be weather resistant and more heavy-duty than most blowers in this size range.

Performance Range:

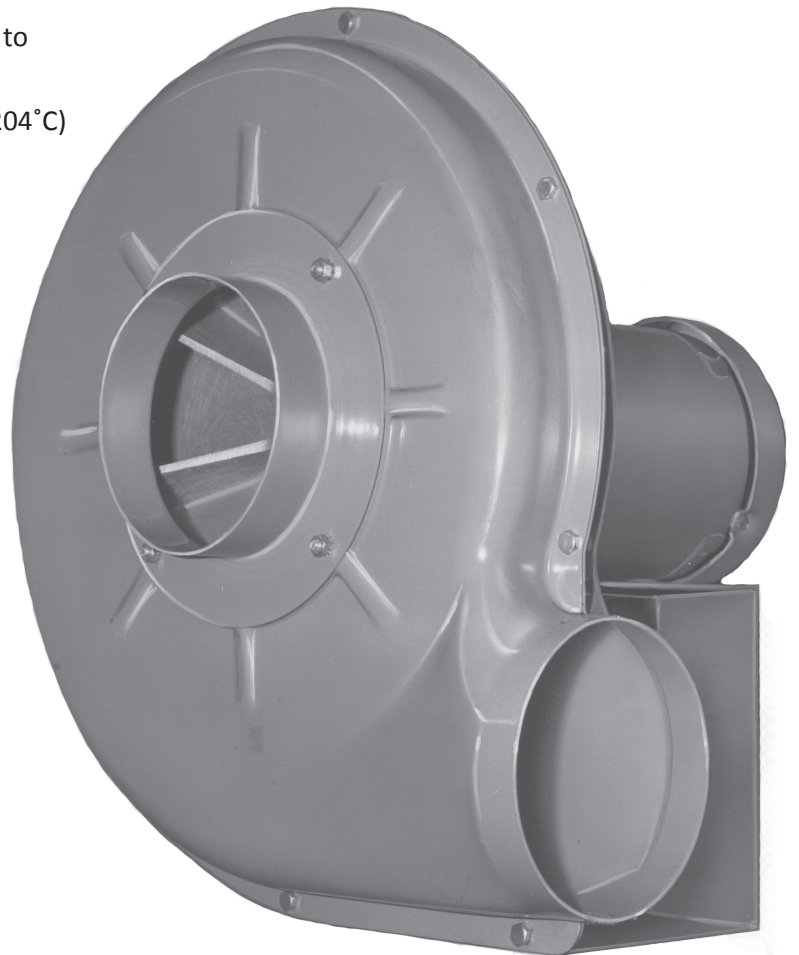
- Capacities up to 4075 CFM and 18" SPWG
- Standard construction, air stream temperatures up to 150°F (66°C)
- Optional high temperature construction to 400°F (204°C)

Design/Construction:

- Stamped steel housing
- Direct and belt driven arrangements are available
- Multiple wheel and inlet sizes

Typical Applications:

- Pressurization
- Blow off systems
- Ink drying
- Combustion air
- Material conveying



SPX ENGINEERED AIR MOVEMENT

7697 Snider Road
Mason, Ohio 45040
513 573 1000 | cincinnati-fan.com
spxairmovement.com

CF-ModelSPB-24 | ISSUED 1/2024
© 2024 SPX Engineered Air Movement | All rights reserved
In the interest of technological progress, all products are
subject to design and/or material change without notice.