

# Arrangement 9 centrifugal fan

Models CPF - CPAF

INSTALLATION - OPERATION - MAINTENANCE

CF-11-IOM-24 ISSUED 3/2024

READ AND UNDERSTAND THIS MANUAL PRIOR TO OPERATING OR SERVICING THIS PRODUCT



Serial Number \_\_\_\_\_

---

## overview

---

**Note** *Read entire manual, including “Initial Unit Startup” before attempting to install and operate this equipment.*

---

### Specifications

Serial Number \_\_\_\_\_ Mfg Date \_\_\_\_\_

**Note:** The serial number above is a required reference for ant assistance. It is stamped on the lower nameplate.

#### Blower Specifications

Model \_\_\_\_\_ Arrangement \_\_\_\_\_ Rotation \_\_\_\_\_

Wheel Size and Type \_\_\_\_\_

#### Blower Performance Data

CFM \_\_\_\_\_ SP \_\_\_\_\_ Motor bhp \_\_\_\_\_

Density \_\_\_\_\_ Altitude ft \_\_\_\_\_ Airstream Temperature \_\_\_\_\_ °F

Fan RPM \_\_\_\_\_ Maximum Safe Fan RPM \_\_\_\_\_ **Do Not Exceed this RPM**

Motor Data: (This section is completed only if the motor was supplied by Cincinnati Fan)

hp \_\_\_\_\_ RPM \_\_\_\_\_ Voltage \_\_\_\_\_ Phase \_\_\_\_\_

Hz \_\_\_\_\_ Frame Size \_\_\_\_\_ Enclosure \_\_\_\_\_ Efficient \_\_\_\_\_

If Motor is EXP, Class(es) and Group(s) are \_\_\_\_\_

Manufacturer's Model Number \_\_\_\_\_ CFV Part Number \_\_\_\_\_

#### Drive Data:

Fan Sheave \_\_\_\_\_ Motor Sheave \_\_\_\_\_ Belts \_\_\_\_\_

No. of Grooves \_\_\_\_\_ Fixed Speed Size  Adjustable Speed

---

**Note** *All Cincinnati Fan products are packaged to minimize any damage during shipment. The freight carrier is responsible for delivering all items in their original condition as received from Cincinnati Fan. The individual receiving this equipment is responsible for inspecting this unit for any obvious or concealed damage. If any damage is found, it should be noted on the bill of lading before the freight is accepted and the receiver must file a claim with the freight carrier.*

---

### Long Term Storage Notice

If this blower will not be installed and put into operation within 30 days, refer to the **Long Term Storage** Instructions on page 20. Failure to follow all applicable long term storage instructions, will void your warranty. This blower should be stored indoors in a clean, dry location.

---

## contents

---

### Note

***This manual contains vital information for the proper installation and operation of your blower fan. Carefully read the manual before installation or operation of the blower fan and follow all instructions. Save this manual for future reference.***

General.....	4
- Unpacking and Handling .....	4
- Safety Instructions and Accessories .....	4
Installation.....	6
- Vibration.....	6
- Mounting Methods .....	6
- Safety Guards.....	7
- Set Screw and Taper-lock Bushing Torque.....	8
- Blower Bearings.....	8
- V-Belt Drives.....	9
- V-Belt Installation.....	9
Electrical.....	12
- Disconnect Switches.....	12
- Motor.....	12
- Maximum Speed and Speed Controllers.....	14
Initial Unit Startup .....	15
- Pre-Startup and Post-Startup Checks .....	15
- Vibration.....	17
Routine Inspection and Maintenance.....	19
- Hardware.....	19
- Motor or Blower Bearing Lubrication .....	19
- Wheel Balance.....	20
- Vibration.....	21
- Blower Shaft or Bearing Replacement.....	22
- Safety Equipment and Accessories.....	24
Ordering Replacement Parts .....	25
Troubleshooting.....	25
Long Term Storage .....	27
Warranty, Limits of Liability, Responsibility and Returns.....	29
Parts Drawing .....	31

---

### Note

***The following defined terms are used throughout this manual to bring attention to the presence of hazards of various risk levels, or to important information concerning the life of the product.***

---

#### **⚠ Warning**

***Indicates presence of a hazard which can cause severe personal injury, death or substantial property damage if ignored.***

---

#### **⚠ Caution**

***Indicates presence of a hazard which will or can cause personal injury or property damage if ignored.***

---

### Note

***Indicates special instructions on installation, operation or maintenance which are important but not related to personal injury hazards.***

---

## general

---

### Receiving

### Unpacking

Be careful not to damage or deform any parts of the blower when removing it from the packaging container. All the packaging material should be kept in the event the blower needs to be returned.

### Handling

Handling of the blower should be performed by trained personnel and be consistent with all safe handling practices. Verify that all lifting equipment is in good operating condition and has the proper lifting capacity. The blower should be lifted using well-padded chains, cables or lifting straps with spreader bars. Lifting eye locations are provided in the blower base. **Never** lift the blower by an inlet or discharge flange, blower or motor shaft, motor eye bolt, or any other part of the blower assembly that could cause distortion of the blower assembly.

---

## Safety Instructions and Accessories

### Safety Instructions:

All installers, operators and maintenance personnel should read AMCA Publication 410-96, "Recommended Safety Practices for Users and Installers of Industrial and Commercial Fans". This manual is included with the blower.

### Sound

Some blowers can generate sound that could be hazardous to personnel. It is the responsibility of the user to measure the sound levels of the blower and/or system, determine the degree of personnel exposure, and comply with all applicable safety laws and requirements to protect personnel from excessive noise.

### Air Pressure and Suction

In addition to the normal dangers of rotating machinery, the blower can present additional hazards from the suction or pressure created at the blower inlet or discharge.

***Suction at the blower inlet can draw materials into the blower where they become high velocity projectiles at the discharge and cause severe personal injury or death.***

It can also be extremely dangerous to persons in close proximity to the inlet or discharge as the forces involved can overcome the strength of most individuals.

---

### Warning

---

## general

---

### ⚠ Caution

***Never operate a blower with a non-ducted inlet and/or discharge. If the blower inlet and/or discharge is non-ducted, it is the users responsibility to install an inlet and/or discharge guard.***

#### **Temperature**

Many blowers, blower components and all motors operate at temperatures that could burn someone if they come in contact with them. If this potential hazard could exist in your installation, steps must be taken by the user to protect anyone from coming in contact with this equipment.

**Spark Resistance:** Per AMCA Standard 99-0401-86 and ISO 13499

---

### ⚠ Warning

***No guarantee of any level of spark resistance is implied by spark resistant construction. It has been demonstrated that aluminum impellers rubbing on rusty steel can cause high intensity sparks. Air stream material and debris or other system factors can also cause sparks.***

#### **Safety Guards**

All moving parts must be guarded to protect personnel. Safety requirements can vary, so the number and types of guards required to meet company, local, state and OSHA regulations must be determined and specified by the actual user or operator of the equipment.

---

### ⚠ Caution

***Never start any blower without having all required safety guards properly installed. All blowers should be checked on a regular schedule, for missing or damaged guards. If any required guards are found to be missing or defective, the power to the blower should be immediately turned off and locked out in accordance with OSHA regulations. Power to the blower should NOT be turned back on until the required guards have been repaired or replaced.***

This blower can become dangerous due to a potential "windmill" effect, even though all electrical power has been turned off or disconnected. The blower wheel should be carefully secured to prevent any rotational turning before working on any parts of the blower/motor assembly that could move.

#### **Access or Inspection Doors**

---

### ⚠ Caution

***Never open any access or inspection doors while the blower is operating. Serious injury or death could result from the effects of air pressure, air suction or material that is being conveyed. Disconnect or lock out power to the blower and let the blower wheel come to a complete stop before opening any type of access or inspection door.***

---

# installation

---

## Installation

### Vibration

Before any mounting method is selected, the user should be aware of the effects vibration will have on the blower, motor and other parts. Improper blower installation can cause excessive vibration causing premature wheel and/or motor failure, that is not covered under warranty. Vibration eliminator pads, springs or bases should be properly installed to prevent any blower vibration from transmitting to the foundation or support structure.

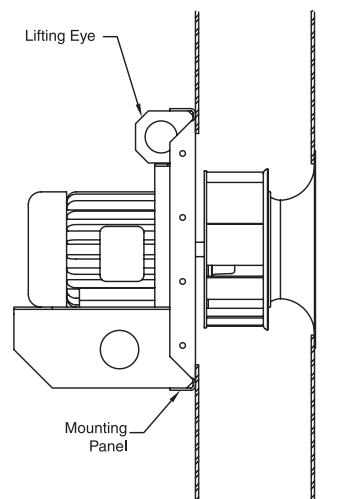
---

**⚠ Caution**

***Shut the blower down immediately if there is any sudden increase in vibration.***

### Mounting Methods

The blower wheel for this model blower was dynamically balanced before assembly. The completed blower was also tested at the operating speed to make sure it conformed to Cincinnati Fan vibration limits. However, proper mounting is necessary to make sure the blower will operate smoothly. The vibration levels this blower will actually operate at will depend on how rigidly the blower is mounted. If the structural support the blower is mounted on is too weak, severe vibration problems can occur. Plug fans are designed to be mounted to a plenum or main support structure, like oven walls. The panel is bolted directly to the wall and the blower wheel is mounted on the blower shaft that passes through a hole in the wall. See **Figure 1**.



---

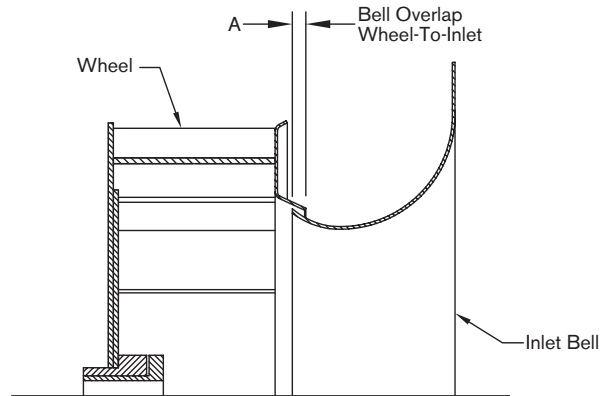
**Figure 1**

The plug fan panel has a formed channel on all four sides to add to the rigidity of the blower and the mounting structure. The front of the panel also contains pre-punched holes to mount the panel to your structure.

---

## installation

Plug fans are shipped with an inlet bell, but it is the users responsibility to provide the mounting structure and hardware to mount the bell. In most cases, the inlet bell mounting structure is an internal wall or plenum. The wall or plenum **must** be parallel with the mounting structure the blower is bolted to, to maintain the correct wheel-to-inlet bell clearance shown in **Table 1**. The inlet bell plenum or wall must also be rigid enough to prevent movement or pulsation of the inlet bell during operation.



Fan Size	A	Fan Size	A
120	1/8"	200	5/16"
130	1/8"	220	5/16"
150	5/16"	240	3/8"
160	5/16"	270	7/16"
180	5/16"	300	1/12"

### Safety Guards

Cincinnati Fan offers optional guards to keep your blower in compliance with OSHA safety regulations. These include shaft/bearing guards and belt guards. Arrangement 9 blowers come with belt guards as standard. The base design on Models CPF and CPAF also acts as a shaft and bearing guard as long as the access holes are closed. With any blowers built with high temperature construction, a heat slinger guard is standard. It is the responsibility of the user to make sure this blower meets all local, state and OSHA safety regulations. If you have a specific guard requirement not covered by OSHA, please contact your local Cincinnati Fan sales office for assistance.

---

## installation

### Set Screw and Taper-Lock Bushing Torque Values

All blower wheel set screws are tightened to the proper torque prior to shipment. Some wheels may have taper-lock hubs and split, taper-lock bushings to secure the wheel to the blower shaft.

---

#### Note

**Check all set screw or taper-lock bushing torques. Forces encountered during shipment, handling, rigging and temperature can affect factory settings. For correct torque values, see Tables 2 and 3.**

Table 2		
Diameter and Number of Threads/Inch	Hex Wrench Size (across flats)	Required Torque in·lbf
1/4-20	1/8"	65
5/16-18	5/32"	165
3/8-16	3/16"	228
7/16-14	7/32"	348
1/2-13	1/4"	504
5/8-11	5/16"	1104

Table 3	
Taper-Lock Busing Size	Required Torque in·lbf
H	95
B	192
P	192
Q	350
R	350

---

#### ⚠ Caution

**Set screws should never be used more than once. If the set screws are loosened, they must be replaced. Use only knurled, cup-point, set screws with a nylon locking patch.**

### Blower Bearings

The blower bearings have set screws to lock the bearings onto the blower shaft. The set screws should be tightened to the torque levels as shown in **Table 2**. Blower bearings should be lubricated in accordance with the bearing manufacturer's recommendation and with the same type of grease. See **Motor and Blower Bearing Lubrication**. Bearings are pre-lubricated at the factory. The blower shaft/bearing access hole covers and belt guard should only be opened or removed for inspection before startup or inspection or maintenance **after** the power to the motor has been turned off and locked out. **The shaft/bearing access covers and belt guard must be replaced before power to the motor is turned back on.**



---

## installation

### V-Belt Drive

If Cincinnati Fan supplied the belts and sheaves (drives package), they were carefully selected for the specific operating conditions supplied to us by the customer.

---

#### **⚠ Warning**

***Changing any of the v-belt drive component selections, supplied with the blower, could result in unsafe operating conditions which could cause equipment failure, personal injury and death.***

If the user is supplying the sheaves and/or belts, it is their responsibility to make the correct component selections for the specific operating conditions. Their selection must also **not allow** the blower to exceed its maximum safe speed or hub load. If you do not know the maximum safe speed or hub load for this blower, **do not** make any drive selection without first consulting Cincinnati Fan or the sales office for your area. Timing belts should never be used on blowers. If you are replacing belts and/or sheaves, checking belt tension or proper alignment, **Figure 2** and **Assembly Steps**. Sheave set screws or taper-lock bushing bolts should be tightened to the torque values as indicated in **Tables 1 and 2**.

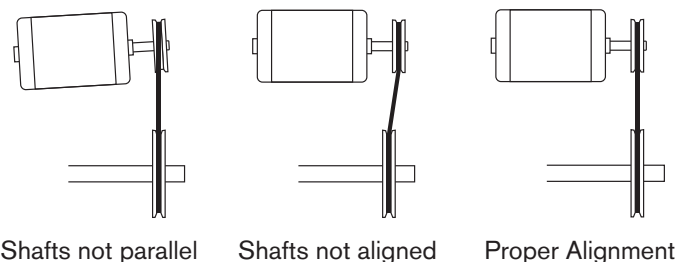
### V-Belt Drive Installation

**Power to the motor must be turned off and locked out, before inspecting, installing or servicing any components of the drives.**

If you are installing new belts, inspect and replace any worn or damaged sheaves, bearings or shafts while the power is turned off and locked out. This will eliminate additional down time later to replace any other parts that were worn or defective.

If you are installing a complete set of new drives, the most critical steps of the installation are alignment of the sheaves and belt tension. Misaligned sheaves and/or improper belt tension will cause excessive fan vibration and result in premature belt and /or bearing failure.

The blower and motor shafts must be parallel and the sheaves must be in line with each other. See **Figure 2**.



---

**Figure 2**

---

## installation

### Assembly

1. Remove belt guard and open shaft access holes. Remove the protective coating from the blower and motor shafts.
2. Loosen (don't remove) the four bolts in the side of the motor adjustment base. Now you can adjust the centerline height of the base by turning the four bolts in the top of the adjustment base, next to the motor feet. Lower the motor adjustment base so the motor shaft is as close to the fan shaft as possible. Now loosen (don't remove) the 4 bolts holding the motor feet to the adjustment base.

---

### Note

***The 4 nuts that secure the motor feet onto the motor slide base should be loosened just enough so the motor will slide along the slide base before you loosen or tighten the belt tension adjustment bolt(s).***

3. If you are replacing the belt(s) and/or sheaves, remove belt(s) from sheaves and then loosen the sheaves set screws or taper-lock bushings to remove the sheaves.
4. Check the blower and motor shafts for any nicks or burrs. Remove any burrs with a file or emery paper.
5. Slide the new sheaves onto the blower and motor shafts. **Do not** drive or pound the sheaves on as this may damage the blower and/or motor bearings.
6. Check the blower and motor shafts to make sure they are parallel and aligned as shown in **Figure 2**.
7. Place the belt(s) over the sheaves. **Do not** force, pry or "roll" the belts, as this could damage the cords in the belt(s). If there is more than one belt, all the belts should be a "matched set".
8. Align the blower and motor sheaves with a straight-edge or string as shown in **Figure 3**. If the sheaves are not the same width, align by sight. For more precise methods, consult your local drives dealer.

---

### Note

***Any sheave with a taper-lock bushing will slide a little on the shaft as the bolts are tightened. You will need to compensate for the sliding before performing Step 9.***

9. Tighten the set screws in the sheaves or the bolts in the taper-lock bushings to the correct torque values as indicated in **Tables 2** and/or **Table 3**.
10. Tighten the four bolts in the motor feet. Adjust the motor adjustment base until the belts become snug. Repeat Steps 6 and 8 above.
11. Tighten the four bolts in the side of the adjustment base to secure it.

---

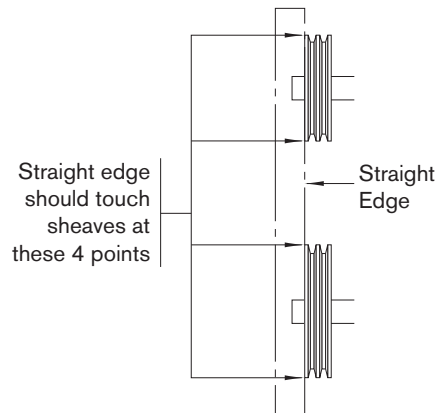
## installation

---

### ⚠ Caution

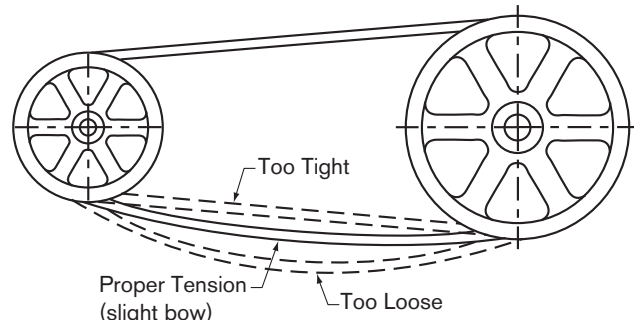
***Before attempting steps 12 and 15, make sure the area around the blower is safe and secured so no one can get near the blower and possibly get injured when it is started.***

12. Unlock power to the motor and run the blower for 15-20 minutes to allow belts to “seat” properly. Then turn off and lock out power to the motor.
13. Loosen the four bolts in the side of the motor adjustment base and readjust the belt tension. Final belt tension should be checked with a “tensioning gauge”. Repeat Steps 6 and 8 above.
14. Tighten the four bolts in the side of the motor adjustment base.
15. Unlock power to the motor and run the blower for eight hours. The belts should be running as shown in **Figure 4** below. If not, repeat steps 13 and 14 after you have turned off and locked out power to the motor.
16. Turn off and lock out power to the motor, reinstall belt guard and cover the bearing/shaft access holes. Unlock the power to the motor and run the blower.
17. After running the blower for 24 hours, turn off and lock out power to the motor. Then, remove belt guard. Repeat Steps 13 through 16 above.
18. After running the blower for 100 hours, lock out power to the motor, remove belt guard and repeat steps 13 through 16. Repeat this periodically, but never more than a one year period.



---

**Figure 3**



---

**Figure 4**

---

# installation

---

## Electrical

### Disconnect Switches:

All blower motors should have an independent disconnect switch located in close visual proximity to turn off the electrical service to the blower motor.

**Disconnects must be locked out in accordance with OSHA “lock out-tag out” procedures any time inspection or maintenance is being performed on the blower and/or motor assembly.** The “lock out-tag out” procedure should be performed by a licensed electrician or authorized personnel.

All disconnects should be sized in accordance with the latest NEC codes (National Electric Codes) and any local codes and should be installed only by a licensed electrician. “Slow blow” or “time delay” fuses or breakers should be used since the initial start-up time for the blower motor, although rare, can be up to 10 seconds.

---

## Motor

*All wiring connections, inspection and maintenance of any motor must be performed by a licensed electrician in accordance with the motor manufacturers recommendations, all electrical codes and OSHA regulations. Failure to properly install, make wiring connections, inspect or perform any maintenance to a motor can result in motor failure, property damage, explosion, electrical shock and death.*

---

### ⚠ Warning

1. **Do Not connect or operate a motor without reading the motor manufacturers instructions supplied with the motor.** The basic principle of motor maintenance is: Keep the motor clean and dry. This requires periodic inspections of the motor. The frequency of the inspections depends on the type of motor, the service and environment it will be subjected to and the motor manufacturers instructions.
2. **Cleaning:** Cleaning should be limited to exterior surfaces only. Follow motor manufacturers cleaning instructions.
3. **Lubrication:** Most small motors have sealed bearings that are permanently lubricated for the life of the motor. Some larger motors have grease plugs that should be replaced with grease fittings to perform re-lubrication. These motors, or any motor with grease fittings, should be lubricated in accordance with the motor manufacturers recommendations. Lubrication frequency depends on the motor horsepower, speed and service. **Be sure** you use compatible grease and **Do not** over grease.

4. **Location:** If the motor will be outside and subjected to the weather, it is recommended that a weather cover be installed to keep rain and snow off of the motor. No motors are guaranteed to be “watertight”. Be careful to allow enough openings between the motor and the motor cover to let the motor “breathe”. If the back end of the motor is covered, the cover should be no closer than 3" to the back of the motor for proper ventilation.
5. **Wiring Connections:** All wiring connections should be made for the proper voltage and phase as shown on the motor nameplate. Connections should follow the motor manufacturers recommendations as shown on the wiring schematic. This wiring diagram will be located on the outside of the motor, inside of the motor conduit box or on the motor nameplate. Reversing some wires might be necessary to get the correct blower rotation.
6. **Motors with Thermal Overload Protection:** If a motor is equipped with thermal overloads, the thermal overload must be wired per the wiring schematic to be operable. There are three types of thermal overloads:
  - Automatic:** These will automatically shut the motor down if the internal temperature exceeds the design limits.

---

**⚠ Caution**

***Make sure you lock out the power to the motor before inspecting any motor with automatic thermals, when the thermals cool down, they will allow the motor to automatically start up again, unless you have locked out the power to the motor.***

**Manual:** These motors will have a button on them. If the motor overheats, it will shut down. After you have inspected the motor and eliminated the over-heating problem, you will need to “reset” it by pushing the button. Lock out the power Before inspecting the motor.

**Thermostats:** This type of thermal is a temperature sensing device **only**. If the motor overheats, the thermostats will open or close (depending on the type) and send a “signal” to the electrical box. **They will not turn the motor off.** These are pilot circuit devices that must be connected to the magnetic starter circuit.

7. **Explosion Proof Motors:** No motor is explosion proof. Explosion proof motors are designed so if there is an explosion within the motor, the explosion will be contained inside the motor and not allowed to get out to the atmosphere. All explosion proof motors must be selected based on the atmosphere and/or the environment the motor will be operating in. Explosion proof motors are designed, rated, and labeled for their operating conditions based on Classes, Groups and T Codes. The Class, Group



---

## installation

and T code of an EXP motor must be selected based on the atmosphere and/or environmental conditions the motor will be operating in. Consult the NEC (National Electric Code) and the NFPA (National Fire Protection Association) for the proper EXP motor Class, Group and T Code required for your specific application and location.

---

### **⚠ Warning**

*If an explosion proof motor is used in an area containing volatile liquids, gases, fumes or dust for which the motor was not designed to operate in, an explosion and/or fire may occur.*

---

### **Note**

*All EXP motors have some type of thermal overload as required by UL (Underwriters Laboratories).*

*All EXP motors are required to have the UL and CSA (Canadian Standards Association) listing numbers on the motor name plate or on a separate plate attached to the motor. The Class, Group and T Code the motor is designed for must also be listed.*

8. **Normal Motor Operating Temperatures:** The normal operating temperature of a fully loaded, open type, electric motor operating in a 70°F. (21°C.) ambient temperature is 174°F. (79° C.)

---

### **Maximum Blower Speed and Motor Speed Controllers:**

**If you will be using any type of motor speed controller with this blower, do not exceed the maximum safe blower speed.** Installing and using a speed control device requires special training and certification as required by the speed control manufacturer. See the manufacturers instructions for proper use, installation and wiring connections for the maximum speed settings. It may be necessary to “block out” some speeds to eliminate a resonant vibration problem. The maximum safe blower speed is shown on the data sheet shipped with the blower. If you have lost the data sheet, contact Cincinnati Fan or the sales office for your area. You must have the serial number from the blower name plate for us to determine the maximum safe blower speed.

Cincinnati Fan will only extend the motor manufacturers warranty, when used with a speed controlling device, if the motor has the words “**Inverter Duty**” marked on the motor name plate. If the motor does not have “Inverter Duty” marked on the motor name plate, and you have a motor failure, you will be required to contact the motor manufacturer for any service or warranty claims.

---

# operation

---

## Pre-Startup and Post-Startup Check (Check blocks as each step is completed. Retain for you records)

### Note

*Failure to complete and document all the following Pre-Startup checks, Post-Startup checks and Vibration checks, could void all warranties.*

Pre-Startup Check completed by: \_\_\_\_\_ Date \_\_\_\_\_  
Eight Hour Post-Startup Check completed by: \_\_\_\_\_ Date \_\_\_\_\_  
Three-Day Post-Startup Check completed by: \_\_\_\_\_ Date \_\_\_\_\_

***Make sure power to the motor is locked out before starting pre-start or post-start checks.***

- 1    Check all blower hardware to make sure it is tight.
- 2    Check the blower wheel set screws to make sure they are tight per **Table 2**.
- 3    If the blower wheel has a taper-lock bushing, make sure the bolts are tightened per **Table 3**.
- 4    Make certain there is no foreign material in the blower housing (optional) that can become a projectile.
- 5    Make sure any inspection doors are securely bolted or locked.
- 6    Ensure all electrical power components are properly sized and matched for your electrical system.
- 7    Check the blower wheel, by turning the wheel by hand to ensure it rotates freely.
- 8    Check sheaves for proper alignment and belts for proper tension. See **V-Belt Drive Installation**.
- 9    Check that any required guards are properly secured.
- 10    If your blower is mounted on an elevated support structure, make sure the structure is welded at all the joint connections, welds have not cracked and the structure is properly braced to prevent “side sway”.
- 11    **Never** subject a **cold** blower to a **hot** gas stream. If the blower will be handling “hot gases” greater than 150°F (65°C) it is imperative that the blower be subjected to a gradual rate of temperature increase, not to exceed 15°F/minute (8°C/minute). The same temperature limits are also important when the blower is experiencing a drop in temperature until the temperature drops down to 150°F (65°C). Only, when the entire blower has reached an equilibrium temperature of 150°F (65°C), or less, should the power be turned off.
- 12    Make sure the power source connections to the blower motor are per the motor manufacturer’s instructions.
- 13    Make sure the blower wheel is stationary prior to startup. **Starting a blower with a wheel that is rotating backwards can cause wheel damage.**
- 14    Apply power to the blower motor momentarily (bump start) to check for proper blower wheel rotation. If the blower is rotating in the wrong direction, reconnect the motor leads per the motor manufacturer’s wiring schematic. **Blower rotation is determined by viewing the blower from the motor side of the blower, NOT from the inlet side.** After reconnecting the leads, repeat this step. See **Figure 5**.



operation

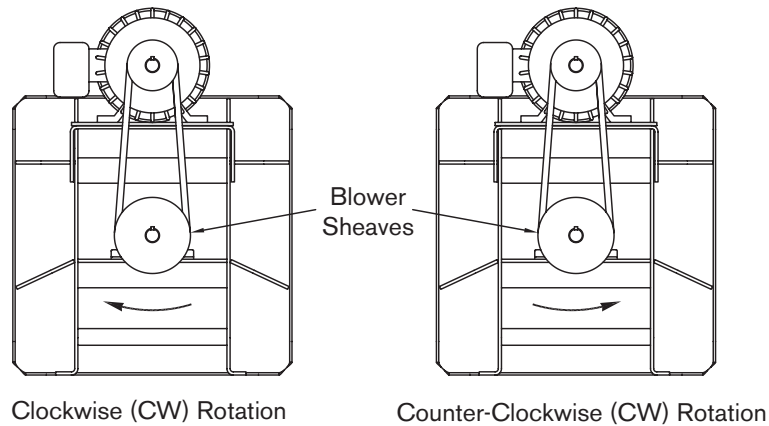


Figure 5

Pre-Startup Check completed by: \_\_\_\_\_ Date \_\_\_\_\_

Eight Hour Post-Startup Check completed by: \_\_\_\_\_ Date \_\_\_\_\_

Three-Day Post-Startup Check completed by: \_\_\_\_\_ Date \_\_\_\_\_

- 15    Apply power to the motor and let it come up to full speed. Turn off the power. Look and listen for any unusual noise or mechanical abnormality while the blower wheel is still spinning. If any are noticed, lock out the power, wait for the blower wheel to come to a complete stop, locate the cause and correct it.
- 16    Unlock power to the motor and run the blower for 15-20 minutes to allow belts to “seat” properly. Turn off and lock out power to the motor.
- 17    Remove the belt guard and check the belt tension with a “belt tensioning gauge”. If the belts are too loose, loosen the 4 nuts holding the motor feet on the motor slide base and re-adjust the belt tension
- 18    Tighten the 4 nuts in the motor feet.
- 19    Unlock power to the motor and run the blower for 8 hours. The belts should be running as shown in Figure 4. If not, repeat steps 19 and 20 after you have turned off and locked out power to the motor.
- 20    When belts are running properly, turn off and lock out power to the motor. Re-install belt guard.
- 21    Unlock power to the motor and run the blower.
- 22    Measure, record and keep the following motor data for future reference and comparison: **(Single phase motors will only have L1 and L2 leads)**  
**Amperage draw on each motor lead: L1 \_\_\_\_\_ L2 \_\_\_\_\_ L3 \_\_\_\_\_**  
 (Running amps **should not** exceed the motor name plate amps for the voltage being operated on).  
**Voltage coming to motor leads: L1 \_\_\_\_\_ L2 \_\_\_\_\_ L3 \_\_\_\_\_**  
 (Should be about the same input voltage on all leads)
- 23    After running the blower for 24 hours, turn off and lock out power to the motor, remove belt guard and repeat steps 17 through 21.
- 24    Repeat step 23 after 100 hours and periodically after that but never more than a one year period.



---

## operation

---

### Vibration

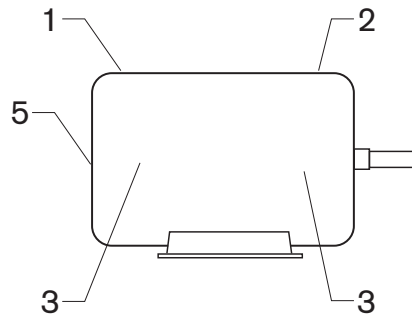
The blower was balanced at the factory to comply with ANSI/AMCA Standard 204-05, Category BV-3. However, rough handling in shipment and/or erection, weak and/or non-rigid foundations, and misalignment may cause a vibration problem after installation. After installation, the vibration levels should be checked by personnel experienced with vibration analysis and vibration analysis equipment.

---

**⚠ Caution**

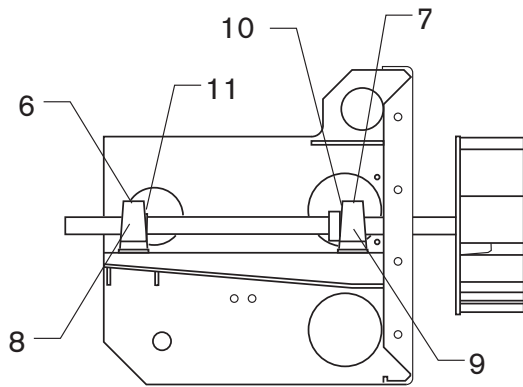
***The blower Should Not be operated if the vibration velocity of the blower exceeds 0.40 inches per second, filter out, if the blower is rigidly mounted. If the blower is mounted on isolators or on an isolator base, it should not be operated if the vibration velocity of the blower exceeds 0.65 inches per second, filter out.***

Vibration readings for belt driven blowers should be taken at the top, sides and end as per **Figure 6**. They should also be taken on the top, sides and ends of the blower bearings as per **Figure 7**. After you have taken vibration readings, record them in **Table 4** and keep for future comparison.



---

Figure 6



---

Figure 7



operation

Table 4 – Vibration Meter Probe Positions

	1	2	3	4	5	6	7	8	9	10	11
A											
B											
C											

A–Pre-Startup Check completed by: \_\_\_\_\_ Date \_\_\_\_\_

B–Eight Hour Post-Startup Check completed by: \_\_\_\_\_ Date \_\_\_\_\_

C–Three-Day Post-Startup Check completed by: \_\_\_\_\_ Date \_\_\_\_\_

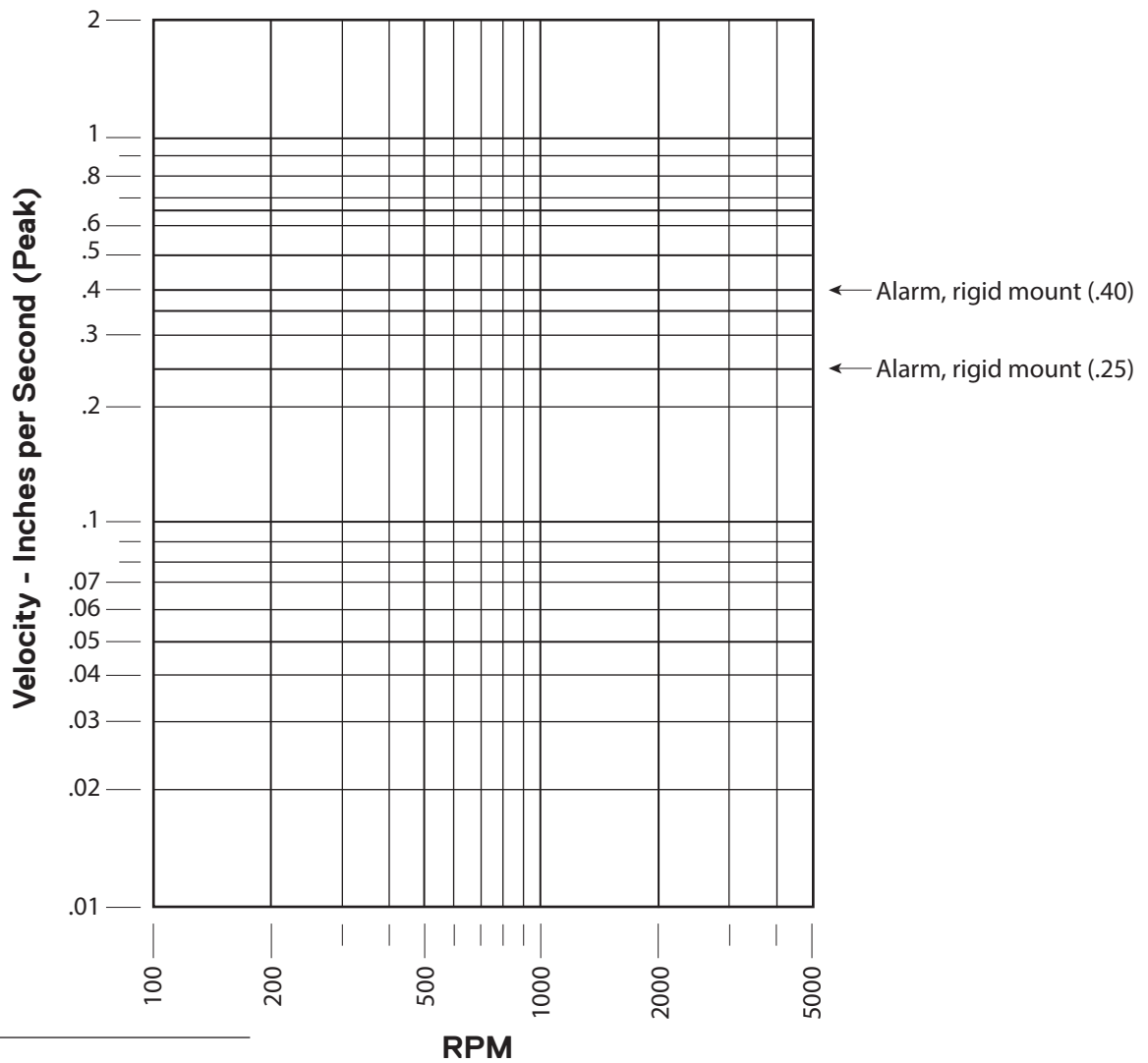


Figure 9

Vibration Severity Graph

---

## maintenance

---

### **Routine Inspection and Maintenance**

Periodic inspection of all the blower parts is the key to good maintenance and trouble-free operation. The frequency of inspections must be determined by the user and is dependent upon the severity of the application, **but**, it should **never** exceed a 12 month period. The user should prepare an inspection and maintenance schedule and make sure it is adhered to.

---

#### **⚠ Caution**

***Before starting any inspection or maintenance, be sure blower is turned off, power is locked out and the blower wheel has been carefully secured to prevent wind milling. If the operating conditions of the blower are to be changed (speed, pressure, temperature, etc.) consult Cincinnati Fan or our sales office in your territory to determine if the unit will operate safely at the new conditions.***

### **Hardware**

All blower and foundation hardware should be checked to make sure it is tight. All set screws or taper-lock bushing bolts should be tightened to the torque values shown in **Tables 2** and **3**.

---

#### **Note**

***If any set screws have become loose, they must be replaced. Never use set screws more than once. Replace with knurled, cup-point set screws with a nylon locking patch.***

### **Motor and Blower Bearing Lubrication**

Most smaller motors have sealed bearings that never require relubrication for the life of the motor. For any motors with grease fittings, consult the motor manufacturers recommendations with reference to the lubrication frequency and the type of grease that should be used.

**Do not** over grease the motor bearings. Generally, 1-2 shots should be enough. Use a hand operated grease gun at no more than 40 psi. If possible, **carefully** lubricate the motor bearings while the motor is running.

### **Blower Bearings**

Blower bearings should be re-lubricated per the chart below for all clean and dry applications where the ambient temperature or blower air temperature is -20°F (-29°C) up to 120°F (49°C). If your application is dirty, moisture laden air, or is outside the temperature limits stated previously, consult the bearing manufacturer for the proper grease type and lubrication frequency. The chart below is affixed to every belt driven blower base.



## maintenance

### Note

*For high temperature applications that require high temperature grease in the blower bearings, a chart similar to below will also specify that Only Dow Corning DC44 (silicone based) high temperature grease should be used.*

Do not over grease the blower bearings. Generally, 1-2 shots should be enough. Use a hand-operated grease gun at no more than 40 psi. **If possible, carefully lubricate the blower bearings while the blower is running.**

Fan Bearings are Pre-Lubricated and Ready for Use Recommended Lubrication Frequency in Months						
Fan Operating Speed RPM	Fan Shaft Diameter (OD)					
	1/2" to 1"	1 1/8" to 1 1/2"	1 5/8" to 1 15/16"	2" to 2 1/2"	2 11/16" to 3 3/16"	3 7/16" to 3 15/16"
Up to 500	6	6	6	6	5	5
500 - 1000	6	6	6	5	4	4
1000 - 1500	6	5	5	4	3	2
1500 - 2000	5	5	4	3	2	1
2000 - 2500	5	5	3	2	2	
2500 - 3000	5	4	2	2	1	
3000 - 3500	4	3	2	1		
3500 - 4000	3	3	1			
4000 - 4500	2	2	1			
4500 - 5000	2	1				

The above lubrication frequencies are based on the fan bearings operating in a clean and dry environment from -20°F (-29°C) up to 120°F (49°C). For hostile, moisture laden environments and/or temperatures below -20°F (-29°C) or above 120°F (49°C), consult the bearing manufacturer for the proper grease type and recommended lubrication frequencies.

If possible, carefully lubricate the bearings while the fan is running.

Add grease until a slight bead appears at the bearing seals. **Do not** over grease.

Generally, 1-2 shots with a hand grease gun that has a maximum pressure rating of 40 psi. **Over greasing bearings will cause them to run hot.**

The type of grease you use **must be** compatible with the grease already in the bearings.

### Wheel Balance

All blower wheels are balanced at the factory. It is not uncommon that additional "trim balancing" is required after the blower is assembled. Trim balancing of the blower assembly, in the field, is typically always necessary for all replacement wheels. After any wheel is installed, the final balance of the entire blower assembly should be checked. Refer to the **Vibration Section** and **Figure 9**.

---

## maintenance

Airstream material or chemicals can cause abrasion or corrosion of the blower parts. This wear is generally uneven and, over time, will lead to the wheel becoming unbalanced causing excessive vibration. When that happens, the wheel must be rebalanced or replaced. Other airstream components should also be inspected for wear or structural damage and cleaned or replaced if necessary. **After cleaning any blower wheel, it should be balanced and then “trim balanced” on the blower shaft.**

### **Balancing a Blower Wheel**

Adding balancing weights for fabricated aluminum, steel or stainless steel wheels:

Balance weights should be rigidly attached to the wheel at a location that will not interfere with the blower housing nor disrupt air flow. They should (if at all possible) be welded to the wheel. When trim balancing the wheel, on the blower shaft, be sure to ground the welder directly to the wheel. Otherwise, the welding current will likely pass through the blower shaft and damage the blower and/or motor bearings.

Removing any Backward Inclined or Airfoil wheel requires special attention when reinstalling it. Make sure to reinstall the wheel so the proper wheel-to-inlet bell clearance is maintained. Failure to do this will affect the blower's airflow (CFM), and/or static pressure (SP) capabilities and efficiency. See **Table 1**. Consult Cincinnati Fan or our local sales office in your area for assistance if necessary.

### **Vibration**

As mentioned previously in this manual, excessive vibration can cause premature motor failure that could lead to catastrophic failure of the blower. After performing any routine maintenance, the vibration readings should be taken. New readings should be taken (maximum every 12 months) and compared to the readings you recorded in **Table 4** during the initial startup. If any major differences are present, the cause should be determined and corrected before the blower is put back into operation.

The most common causes of vibration problems are:

- Wheel unbalance
- Bearing Failure
- Foundation stiffness
- Mechanical looseness
- Misaligned sheaves and/or belts
- Poor blower inlet and/or discharge conditions

---

## maintenance

### **Blower Shaft and Bearing Replacement**

The blower shaft and bearings for Cincinnati Fan blowers are carefully selected to match the maximum load and operating conditions for each specific blower model. If the instructions in this manual and those provided by the bearing manufacturer are followed, you should not need to replace the bearings for many years.

When the bearings are replaced, it is strongly recommended that the blower shaft also be replaced at the same time. Use the following applicable steps when replacing the blower bearings and/or blower shaft.

1. **Lock out the power source to the motor and let the wheel come to a complete stop.**
2. Remove the inlet bell.
3. If necessary, disconnect the optional blower housing.
4. Measure the location of the blower wheel on the shaft. **Record the dimension.**
5. Remove the locking hardware in the wheel hub.
6. **Carefully** remove the wheel.
7. Remove the belt guard and open the shaft/bearing access hole covers in the side of the base.
8. Loosen, but don't remove the four bolts in the side of the motor adjustment base.
9. Loosen the belt tension by turning the four bolts in the top of the motor adjustment base.
10. Remove the belt(s).
11. Loosen the blower sheave set screws, or taper-lock hub bolts, and remove the blower sheave.
12. Disconnect the lube lines to the blower bearings.
13. Remove the four bolts holding the two bearings on the bearing base. **Be careful not to change the location of any bearing riser shims that might be under the bearings.**
14. Remove the shaft and bearing assembly from the blower.
15. There is a rust preventative coating that was applied to the blower shaft before shipment. Remove this coating at all areas on the shaft with a solvent or degreaser.
16. Measure, and record the distance between the bearings and the distance from each bearing to each end of the shaft.

---

## maintenance

17. Remove the hardware holding the bearings on the shaft and then, remove the bearings from the shaft.
18. When replacing the bearings, we strongly recommend also replacing the blower shaft. However, if using the same shaft, **file down all set screw marks on the shaft from the bearings, blower wheel or sheave.**
19. If replacing the blower shaft, it should be turned, ground and polished shaft material. It should be the same length and diameter and have the same keyway sizes and lengths on both ends of the shaft.
20. Install new bearings onto the new or original blower shaft. Be sure the bearing locking collars are facing each other and the set screws in the locking collars are in line with each other. **Do not** tighten the locking collars onto the shaft at this time.

---

### Note

*If you are replacing “split housing” type bearings, refer to the bearing manufacturers directions for proper mounting and adjustment.*

21. Place the shaft and bearing assembly onto the blower bearing base with any bearing riser shims located under each bearing as were under the original bearings in Step 13.
22. Install the hardware to hold the bearings to the bearing base. **Do not** tighten the hardware at this time.
23. Adjust the blower shaft location in the bearings to the dimensions you recorded in Step 16.
24. Tighten the hardware that holds the bearings on the bearing base.
25. Using a soft faced mallet, **gently** tap on the blower shaft, in between the two bearings, while turning the blower shaft by hand. This will “seat” the bearing races. The shaft **must** turn freely.
26. Tighten the set screws in both bearings. If there are two set screws per bearing, make sure you tighten the set screws **in line** with each other on each bearing and then the other set screws. **Always use new set screws.**
27. Turn the shaft by hand again to make sure it turns freely and does not bind.
28. Reconnect the bearing lube lines.
29. Slide the blower sheave onto the blower shaft. **Install a new shaft key.**
30. Align the blower and motor sheaves and adjust the belt tension per the instructions in **V-Belt Drive Installation.**
31. While rotating the blower shaft by hand, lubricate the new bearings with fresh grease per the instructions in **Motor and Blower Bearing Lubrication.**



---

## maintenance

32. **Install new set screws** into the wheel hub, or new bolts into the taper-lock hub. **Do not use old set screws or bolts.**
33. Install the blower wheel onto the shaft making sure it is located on the shaft per the dimension you took in Step 4.
34. Install a **new** shaft key into the wheel hub.
35. Turn the wheel by hand to determine there is no binding or rubbing anywhere.
36. Tighten the wheel set screw, **over the key first**, to the torque values in **Table 2**. Now, tighten the set screw onto the shaft to the same torque value. If the wheel has a taper-lock hub, tighten the bolts per **Table 3**.
37. Install the blower housing (if used).
38. Install the inlet bell with the clearance and dimensions per **Table 1**.
39. Turn the wheel by hand to determine there is no binding or rubbing anywhere.
40. Unlock power to the motor, turn it on and let it run for 10 minutes.
41. **Turn off and lock out power to the motor.**
42. Check all set screws, nuts and bolts to make sure they are tight.
43. Install belt guard and close the shaft/bearing access hole covers. Install any other guards.
44. Unlock power to the motor, turn it on.
45. Repeat Steps 1, 7, 42, 43 and 44 (in that order) after 8 hours and again after 1 week.

### **Safety Equipment and Accessories**

It is the user's responsibility to make sure that any safety guards required by company, local, state and OSHA regulations are properly attached and fully functional at all times. If any guards become defective or non-functional at any time, the power to the blower **must** be turned off and locked-out until complete repairs and/or replacements have been made, installed and inspected by authorized personnel. Any accessories used in conjunction with the blower should also be inspected to make sure they are functioning within their intended limits and design specifications. The manufacturer's maintenance manuals should be referred to for correct maintenance procedures. These accessories include, but are not limited to, the following:

- Shaft seals, inspection doors, vibration isolators or vibration bases, air flow or pressure measuring equipment, hoods, controls, special coatings, silencers, expansion joints, valves, flexible connectors, filters, sheaves and belts.



---

## maintenance

### Replacement Parts

Under normal conditions, you should not need any spare or replacement parts for at least 24 months after shipment from Cincinnati Fan. That does not include any wear due to abrasion, corrosion, excessive temperatures, abuse, misuse, accident or any severe conditions the fan was not designed for.

- If this fan is vital to any process that could cost you lost revenue, we strongly recommend that you keep a blower wheel and motor at your location.
- If this fan is vital for the safety of any people and/or animals, we strongly recommend that you keep a complete blower/motor assembly, as originally ordered, at your location.

To order parts or complete units, contact us for the name of our sales office in your area or locate them on our website at [cincinnati.com](http://cincinnati.com).

---

#### Note

*The blower serial number from the blower name plate is required to identify parts correctly.*

---

### Troubleshooting

Potential problems and causes listed below are in no order of importance or priority. The causes are only a list of the most common items to check to correct a problem. If you find the cause of a problem, **do not** assume it is the **only** cause of that problem. Different problems can have the same causes.

---

#### Warning

*Troubleshooting should only be performed by trained personnel. Any potential electrical problems should only be checked by a licensed electrician. All safety rules, regulations and procedures must be followed.*



# troubleshooting

Trouble	Cause
Excessive Vibration	Loose mounting bolts, set screws or taper-lock hub bolts, bearings and sheaves
	Misalignment of sheaves, blower bearings or motor
	Worn or corroded blower wheel
	Accumulation of foreign material on blower wheel
	Bent motor or blower shaft
	Worn motor and/or blower bearings
	Worn sheaves and/or belts
	Motor out of balance
	Support structure not sufficient
Weak or resonant foundation	
Airflow (CFM) Too Low	Blower wheel turning in wrong direction (rotation)
	Actual system static pressure (SP) is higher than expected
	Motor speed (RPM) too low, incorrect or defective belts and/or sheaves
	Wheel not properly located relative to the inlet bell
Airflow (CFM) Too High	Actual system static pressure (SP) is lower than expected
	Motor speed (RPM) too low
Motor Overheating	Actual system static pressure (SP) is lower than expected
	Voltage supplied to motor is too high or too low
	Motor speed (RPM) too high or defective motor
	Air density higher than expected
	Motor wired incorrectly and/or loose wiring connections
Note – a normal motor will operate at 174°F	
Excessive Noise	Wheel rubbing
	Worn or corroded blower wheel
	Accumulation of foreign material on blower wheel
	Loose mounting bolts, set screws or taper-lock hub bolts, bearings or sheaves
	Misalignment of blower bearings, sheaves or motor
	Bent motor shaft or blower shaft
	Worn motor and/or blower bearings
	Motor out of balance
	Motor and/or blower bearings need lubrication
	Vibration originating elsewhere in system
	System resonance or pulsation
Inadequate or faulty design of blower support structure	
Blower operating near stall condition due to incorrect system design or installation	
Fan Doesn't Operate	Motor wired incorrectly or loose wiring connections
	Incorrect voltage supply
	Defective fuses or circuit breakers
	Power turned off elsewhere
	Defective motor

---

# information

---

## Long Term Storage

Storage exceeding 30 days after receipt of equipment.

***Failure to adhere to these instructions voids all warranties in their entirety.***

---

### Note

- Storage site selection:
  - Level, well-drained, firm surface, in clean, dry and warm location. Minimum temperature of 50°F (10°C).
  - Isolated from possibility of physical damage from construction vehicles, erection equipment, etc.
  - Accessible for periodical inspection and maintenance.
- The blower should be supported under each corner of its base to allow it to “breathe”. Supports (2 x 4s, timbers, or railroad ties) should be placed diagonally under each corner.
- If the equipment is to be stored for more than three (3) months, the entire blower assembly must be loosely covered with plastic, **but not tightly wrapped**.
- Initial inspections must be made of the blower components, and immediate corrective action taken if discrepancies are found, to insure adequate protection of the equipment during storage.
  - Blower bearings only should be completely filled with lubricant to minimize the chance of oxidation or rust.
  - Sheave center distance should be reduced to reduce tension on the belts.

---

### Note

- Storage Maintenance:

***A periodic inspection and maintenance log, by date and action taken, must be developed and maintained for each blower. See example below. Each item must be checked monthly.***

Storage/Maintenance Schedule Log Example	
Action	Date Checked
Reinspect units to insure any protective devices used are functioning properly. Check for scratches in the finish which will allow corrosion or rust to form	
Rotate blower wheel a minimum of 10 full revolutions to keep the moor bearing grease from separating and drying. <b>This is a critical step.</b>	



---

## information

- General Motor Procedure:

If the motor is not put into service immediately, the motor must be stored in a clean, dry, warm location. Minimum temperature of 50°F. (10°C.). Several precautionary steps must be performed to avoid motor damage during storage.

- Use a “Megger” each month to ensure that integrity of the winding insulation has been maintained. Record the Megger readings. Immediately investigate any significant drop in insulation resistance.
- **Do not** lubricate the motor bearings during storage. Motor bearings are packed with grease at the factory. Excessive grease can damage the insulation quality in the motor.
- If the storage location is damp or humid, the motor windings must be protected from moisture. This can be done by applying power to the motor’s space heaters, (if available) while the motor is in storage. If the motor does not have space heaters, storing it in a damp or humid location will, very quickly, cause internal corrosion and motor failure which is not warranted.
- Rotate motor shaft a minimum of 10 full turns each month to keep bearing grease from separating and drying out.

---

### Note

*For specific storage instructions, for the actual motor and any accessory parts that were supplied, refer to the manufacturer’s instructions.*

---

## information

---

### **Limited Warranty**

Cincinnati Fan and Ventilator Company (Seller) warrants products of its own manufacture, against defects of material and workman-ship under normal use and service for a period of eighteen (18) months from date of shipment or twelve (12) months from date of installation, whichever occurs first. This warranty does not apply to any of Seller's products or any part thereof which has been subject to extraordinary wear and tear, improper installation, accident, abuse, misuse, overloading, negligence or alteration. This warranty does not cover systems or materials not of Seller's manufacture. On products furnished by Seller, but manufactured by others, such as motors, Seller extends the same warranty as Seller received from the manufacturer thereof. Expenses incurred by Purchaser's in repairing or replacing any defective product will not be allowed except where authorized in writing and signed by an officer of the Seller.

The obligation of the Seller under this warranty shall be limited to repairing or replacing F.O.B. the Seller's plant, or allowing credit at Seller's option.

**This warranty is expressly in lieu of all other warranties either expressed or implied including the warranties of merchantability and fitness for a particular purpose and of all other obligations and liabilities of the seller. The purchaser acknowledges that no other representations were made to purchaser or relied upon by purchaser with respect to the quality or function of the products herein sold.**

Removal of the Sellers nameplate or any generic fan nameplate containing the fan serial number voids all warranties, either writ-ten or implied. Failure to complete and document all the pre-startup and post startup checks and perform the suggested routine maintenance checks voids all warranties, either written or implied.

---

## information

---

### **Limitation of Liability**

Notice of any claim, including a claim for defect in material or workmanship, must be given to Seller in writing within 30 days after receipt of the equipment or other products. Seller reserves the right to inspect any alleged defect at Purchaser's facility before any claim can be allowed and before adjustment, credit, allowance replacement or return will be authorized. See RETURNS below. Seller's liability with respect to such defects will be limited to the replacement, free of charge, of parts returned at Purchaser's expense F.O.B. Seller's plant and found to be defective by the Seller.

**In no event will seller be liable for special, indirect, incidental or consequential damages, whether in contract, tort, negligence, strict liability or otherwise, including without limitation damages for injury to persons or property, lost profits or revenue, lost sales or loss of use of any product sold hereunder. Purchaser's sole and exclusive remedy against seller will be the replacement of defective parts as provided herein or refund of the purchase price for defective products, at seller's sole option. Seller's liability on any claim, whether in contract, tort, negligence, strict liability or otherwise, for any loss or damage arising out of or in connection with purchaser's order or the products or equipment purchased hereunder, shall in no case exceed the purchase price of the equipment giving rise to the claim.**

---

### **Responsibly**

It is the understanding of the Seller that Purchaser and/or User will use this equipment in conjunction with additional equipment or accessories to comply with all Federal, State and local regulations. The Seller assumes no responsibility for the Purchaser's and/or User's compliance with any Federal, State and local regulations.

---

### **Returns**

Cincinnati Fan & Ventilator Company assumes no responsibility for any material returned to our plant without our permission. An RMA (Return Material Authorization) number must be obtained and clearly shown on the outside of the carton or crate and on a packing slip. Any items returned must be shipped freight prepaid. Failure to comply will result in refusal of the shipment at our receiving department.

---

## information

---

### **Disclaimer**

This manual, and all its content herein, is based on all applicable known material at the time this manual was created. **Any parts of this manual are subject to change at any time and without notice.**

If any statements, diagrams and/or instructions contained herein, for components not manufactured by the Seller, conflict with instructions in the manufacturer's manual (i.e.: motors, bearings, dampers, etc.), the instructions in the manufacturer's manual, for that component take precedent.

Should you want the latest version of this manual, please contact us or our sales office for your area. Or, you can print a current version by going to our website at: [cincinnati-fan.com](http://cincinnati-fan.com).

---

### **Parts Drawing**

Cincinnati Fan manufactures many models and arrangements with special variations. For that reason, the maintenance manuals contained on our website do not include a parts drawing nor the completed blower or fan specifications on page 2.

For the parts drawing of all the standard components and specifications for the specific blower or fan that you have, please contact our local Cincinnati Fan sales office for your area.

You will need to give them the serial number shown on the blower or fan nameplate so they can supply you the correct information.

Click on "Contact a Sales Rep" on our website for the name and contact information for our local sales office in your area.

# Centrifugal Fan

USER MANUAL

---

**SPX ENGINEERED AIR MOVEMENT**

7697 SNIDER ROAD

MASON, OH 45040 USA

513 573 1000 | [spxairmovement.com](http://spxairmovement.com)

CF-11-IOM-24 | ISSUED 3/2024

©2024 SPX ENGINEERED AIR MOVEMENT | ALL RIGHTS RESERVED

In the interest of technological progress, all products are subject to design and/or material change without notice.

**SPX**   
**TECHNOLOGIES**